

**PSP2GPH40HOIVDW**

Ballast Type: Electronic  
 Input Voltage: 100-277VAC ±10%  
 Input Frequency: 50-60Hz

Starting Method: Program Start  
 Lamp Connection: Series

Unit Color: White  
 Unit Weight: 0.90 lbs.

**ELECTRICAL SPECIFICATIONS:**

Line Voltage (V)	Lamp Type	Lamp Watts	No. of Lamps	Arc Voltage (V)	Lamp Current (mA)	Line Current (A)	Input Power (W)	Power Factor
120	GPH436T5HO	48	2	60	800	0.60	74	≥ 0.98
277						0.27		
100	GPH436T5HO	48	1	60	800	0.40	41	≥ 0.98
120						0.35		
277						0.15		
100	GPH357T5HO	32	2	40	800	0.59	59	≥ 0.98
120						0.49		
277						0.21		
100	GPH357T5HO	32	1	40	800	0.32	33	≥ 0.98
120						0.27		
277						0.13		
100	GPH287T5HO	27	2	34	800	0.53	54	≥ 0.98
120						0.45		
277						0.19		
100	GPH287T5HO	27	1	34	800	0.29	30	≥ 0.98
120						0.24		
277						0.12		
100	GPH212T5HO*	18	2	23	800	0.45	42	≥ 0.97
120						0.34		
277						0.15		
100	GPH212T5HO	18	1	23	800	0.23	24	≥ 0.99
120						0.19		
277						0.10		
100	GPH893T5HO	95	1	118	800	0.65	66	≥ 0.98
120						0.54		
277						0.24		
100	GPH841T5HO	86	1	108	800	0.72	72	≥ 0.98
120						0.58		
277						0.27		
100	GPH608T5HO	60	1	75	800	0.53	54	≥ 0.98
120						0.45		
277						0.20		
100	GPH508T5HO	51	1	64	800	0.48	47	≥ 0.98
120						0.38		
277						0.17		
120	TUV75W HO	75	1	94	800	0.70	82	≥ 0.98
277						0.29		
120	TUV60W HO	60	1	75	800	0.65	74	≥ 0.98
277						0.28		
120	TUV55WPL-L	55	1	69	800	0.63	74	≥ 0.98
277						0.26		

\* Primary Lamp Type

**WARRANTY:**

Robertson Worldwide warrants to the purchaser that this product will be free from defects in material or workmanship for a period of 5 years from date of manufacture when properly installed and under normal condition of use. For more information on Robertson Worldwide ballasts, visit [www.RobertsonLighting.com](http://www.RobertsonLighting.com). Specifications subject to change without notice.

## PSP2GPH40HOIVDW

### PERFORMANCE:

- High Efficiency Electronic Ballast
- Max Current THD =  $\leq 15\%$
- Current Crest Factor =  $\leq 1.7$
- High Power Factor
- Normal Ballast Factor
- Encased & Potted
- Sound Rated A
- All-star (EOL) Protection
- Meets FCC Part 18 (Class B) for EMI & RFI Consumer Limits at 120-240V
- Meets CE Requirements (120-240V)
- Meets ANSI Standard C62.41 for Transient Protection
- Meets ANSI Standard C82.11 for Ballast Requirement

### APPLICATION:

- Maximum Case Temperature: 185°F/85°C
  - Maximum Ambient Temperature: 140°F/60°C
  - Minimum Starting Temperature: -22°F/-30°C†
  - Not Recommended for Extreme Temperature Variations
  - Lamp Starts: > 50,000 Starts
  - Remote Mounting: 18 ft. Max. Lead Length, 18AWG
- † Please Consult Lamp Manufacturer's Data Regarding Lumen Output vs Ambient Temperature

### SAFETY/STANDARDS:

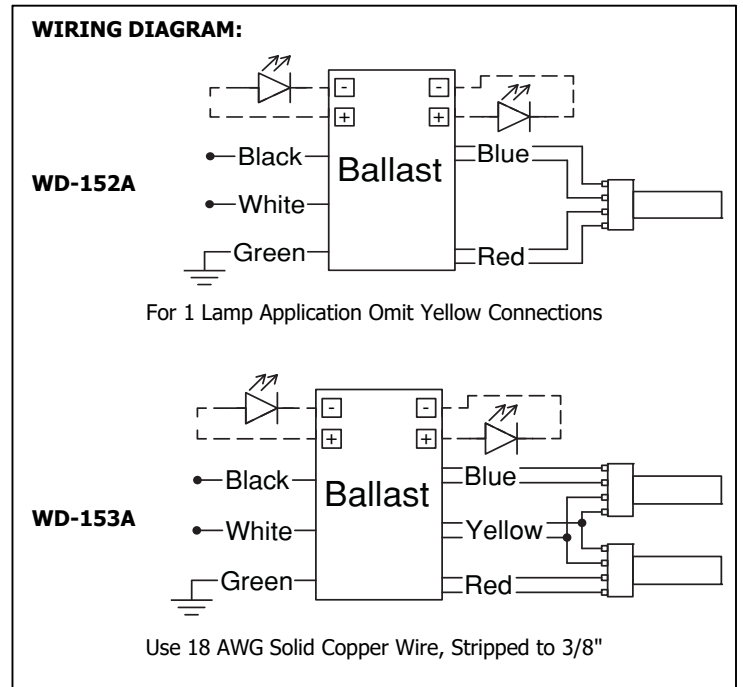
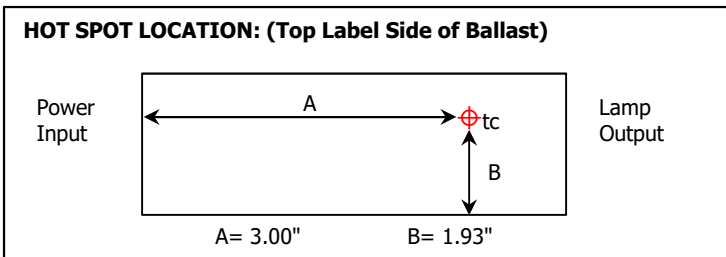
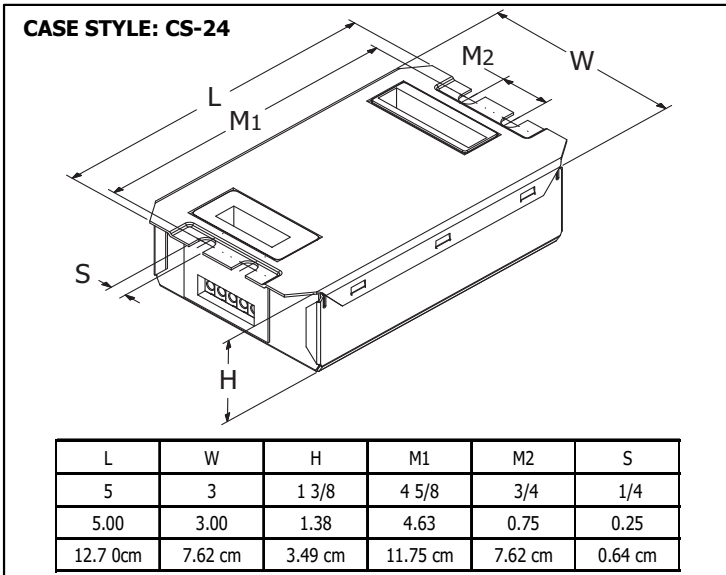
- UL/935 Listed (Class P, Type 1 Outdoor)
- No PCB's, Type HL, Type CC
- RoHS Compliant

### FEATURES:

- Power LED connector (2.5V)
- Lamp LED connector (2.5V)

### U.S. PATENT NUMBERS:

6,366,032 B1 ; 6,420,838 B1; 5,436,529



### WARRANTY:

Robertson Worldwide warrants to the purchaser that this product will be free from defects in material or workmanship for a period of 5 years from date of manufacture when properly installed and under normal condition of use. For more information on Robertson Worldwide ballasts, visit [www.RobertsonLighting.com](http://www.RobertsonLighting.com). Specifications subject to change without notice.