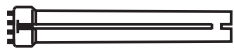


SPECIFICATION SHEET : RHA-UNV-226-C

This Is An Original Product From Fulham Co., Inc

Description : RACEHORSE Series, Universal Operating Voltage, Programmed Start Ballast, End Of Life Protection, Auto Restart, Cold Starting Feature.

This Ballast Will Operate Following Lamps.



TWIN(FT), 4 PIN
13/18/24/36W



QUAD (CFQ), 4 PIN
26W



TRIPLE(CFTR)
26/32/42W



2D21/28/38W



CFM57W



CIRCLINE
T5CR22/40W

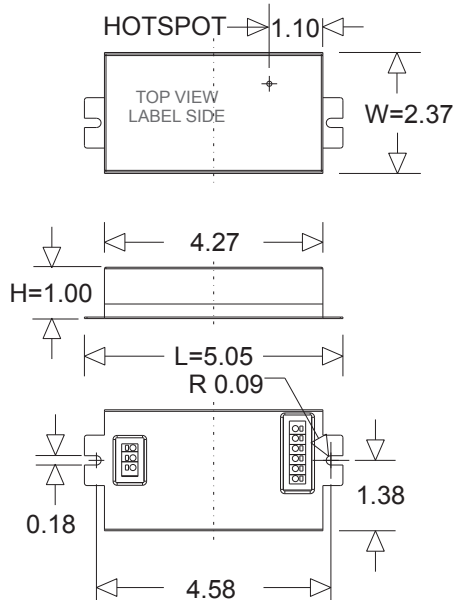


F24T5HO

ELECTRICAL DATA (With 120 Volt Application)

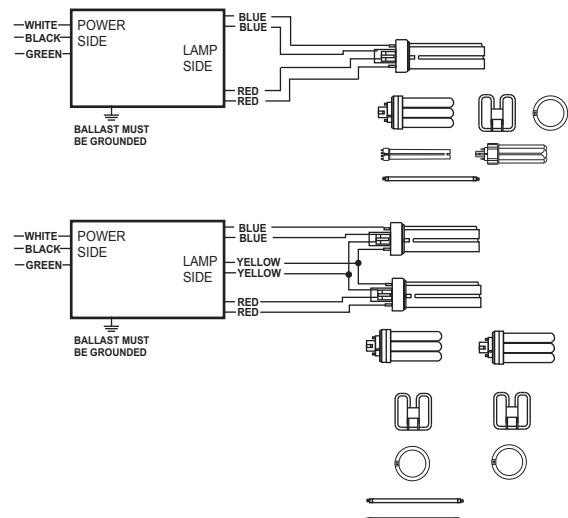
INPUT VOLT: 120V ± 10%, 50/60Hz									
LAMP WATTS/TYPE	26CFQ	26CFTR	32CFTR	42CFTR	CFT13	CFT18	CFT24	CFT36	2D21
LAMPS OPERATED	1								
INPUT WATTS	29	28	32	48	18	18	27	34	25
LINE CURRENT:	0.25	0.23	0.27	0.40	0.15	0.15	0.22	0.29	0.21
POWER FACTOR	0.99	0.99	0.99	0.99	0.99	0.99	0.99	0.99	0.99
BALLAST FACTOR	1.06	1.06	0.99	0.98	1.26	1.00	1.06	0.88	1.44
EFFICACY FACTOR	3.66	3.80	3.10	2.05	7.17	5.50	3.95	2.58	5.77
THD	< 10%								
CURRENT CREST FACTOR	< 1.7								
EMI/RFI COMPLIANCE	FCC PART 18-A (NON-CONSUMER)								
SOUND RATING	" A "								
BALLAST TYPE	PROGRAMMED START								
VOLTAGE TRANSIENTS	MOV (ANSI C82.11)								
INPUT/PROTECTION	FUSE								
OUTPUT/PROTECTION	OPEN LAMP, SHORTED LAMP, END-OF-LIFE								
MIN. OPERATING TEMP	-30°C (-22°F)								
MAX. CASE TEMP	90°C (194°F) SEE FOOT NOTE WARRANTY								
APPROVALS/CLASS	UL /cUL LISTED, CLASS " P ", 1 OUTDOOR								
REMOTE MOUNTING	18 FT MAX.								

MECHANICAL DATA



Where : L = Length, W = Width, H = Height

WIRING DIAGRAMS



Use Wire Rated 300V, 90° c min. Use 18 AWG Solid Copper Wire Only Stripped to 3/8"

NOTE : This Ballast Must Be Grounded

Fulham extends a limited warranty only to the original purchaser or to the first user for a period of **5 years @ 75°C & 3 years @ 90°C** from the date of manufacture when properly installed and operated under normal conditions of use. For complete terms and conditions, please reference the Fulham product catalog (www.fulham.com) **Due to a program of continuous improvement, Fulham reserves the right to make modifications or variations in design or construction to the equipment described.**

SPECIFICATION SHEET : RHA-UNV-226-C

This Is An Original Product From Fulham Co., Inc

Description : RACEHORSE Series, Universal Operating Voltage, Programmed Start Ballast, End Of Life Protection, Auto Restart, Cold Starting Feature.

This Ballast Will Operate Following Lamps.



TWIN(FT), 4 PIN
13/18/24/36W



QUAD (CFQ), 4 PIN
26W



TRIPLE(CFTR)
26/32/42W



2D21/28/38W



CFM57W



CIRCLINE
T5CR22/40W

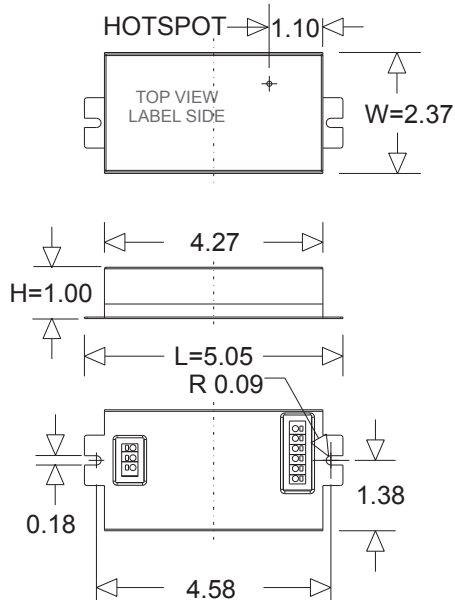


F24T5HO

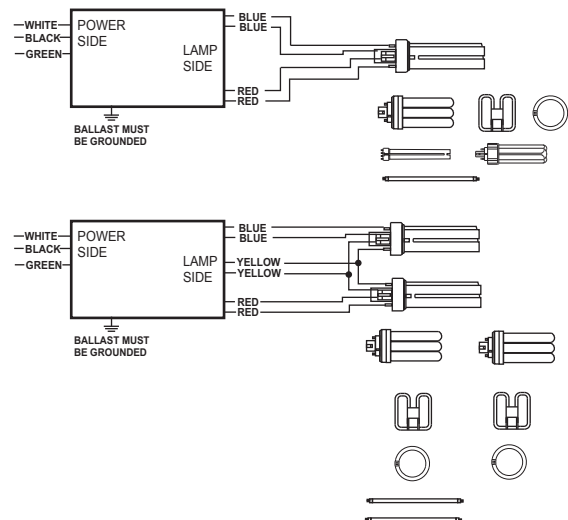
ELECTRICAL DATA (With 120 Volt Application)

INPUT VOLT: 120V ± 10%, 50/60Hz									
LAMP WATTS/TYPE	2D28	2D38	F22WT5CR	F40WT5CR	CFM57	26CFQ	26CFTR	CFT18	CFT24
LAMPS OPERATED	1					2			
INPUT WATTS	33	33	27	40	52	59	54	35	51
LINE CURRENT:	0.28	0.28	0.23	0.34	0.43	0.49	0.45	0.29	0.43
POWER FACTOR	0.99	0.99	0.99	0.99	0.99	0.99	0.99	0.99	0.99
BALLAST FACTOR	1.27	0.89	1.07	0.99	0.97	1.01	1.01	0.97	1.01
EFFICACY FACTOR	3.78	2.70	3.92	2.45	1.88	1.71	1.86	2.77	1.98
THD	< 10%								
CURRENT CREST FACTOR	< 1.7								
EMI/RFI COMPLIANCE	FCC PART 18-A (NON-CONSUMER)								
SOUND RATING	" A "								
BALLAST TYPE	PROGRAMMED START								
VOLTAGE TRANSIENTS	MOV (ANSI C82.11)								
INPUT/PROTECTION	FUSE								
OUTPUT/PROTECTION	OPEN LAMP, SHORTED LAMP, END-OF-LIFE								
MIN. OPERATING TEMP	-30°C (-22°F)								
MAX. CASE TEMP	90°C (194°F) SEE FOOT NOTE WARRANTY								
APPROVALS/CLASS	UL /cUL LISTED, CLASS " P ", 1 OUTDOOR								
REMOTE MOUNTING	18 FT MAX.								

MECHANICAL DATA



WIRING DIAGRAMS



Use Wire Rated 300V, 90° c min. Use 18 AWG Solid Copper Wire Only Stripped to 3/8"

NOTE : This Ballast Must Be Grounded

Fulham extends a limited warranty only to the original purchaser or to the first user for a period of **5 years @ 75°C & 3 years @ 90°C** from the date of manufacture when properly installed and operated under normal conditions of use. For complete terms and conditions, please reference the Fulham product catalog (www.fulham.com) **Due to a program of continuous improvement, Fulham reserves the right to make modifications or variations in design or construction to the equipment described.**

SPECIFICATION SHEET : RHA-UNV-226-C

This Is An Original Product From Fulham Co., Inc

Description : RACEHORSE Series, Universal Operating Voltage, Programmed Start Ballast, End Of Life Protection, Auto Restart, Cold Starting Feature.

This Ballast Will Operate Following Lamps.



TWIN(FT), 4 PIN
13/18/24/36W



QUAD (CFQ), 4 PIN
26W



TRIPLE(CFTR)
26/32/42W



2D21/28/38W



CFM57W



CIRCLINE
T5CR22/40W

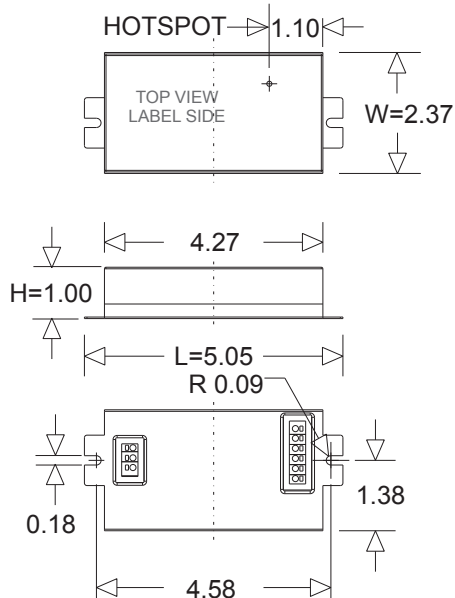


F24T5HO

ELECTRICAL DATA (With 120 Volt Application)

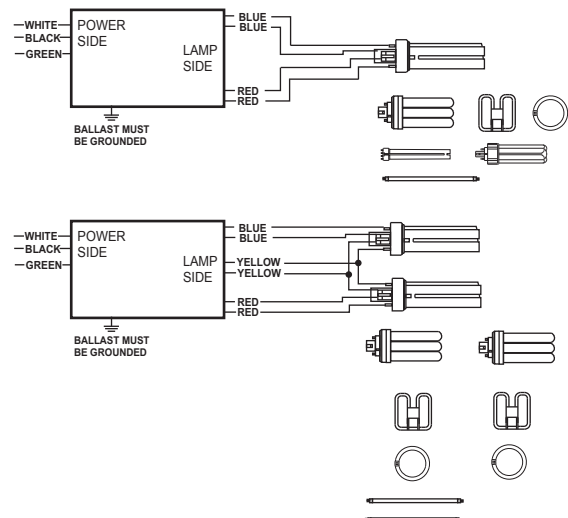
INPUT VOLT: 120V ± 10%, 50/60Hz			
LAMP WATTS/TYPE	CFT13	2D21	F24T5HO
LAMPS OPERATED	2		
INPUT WATTS	31	47	51
LINE CURRENT:	0.26	0.39	0.43
POWER FACTOR	0.99	0.99	0.99
BALLAST FACTOR	1.22	1.36	1.01
EFFICACY FACTOR	3.99	2.92	1.97
THD	< 10%		
CURRENT CREST FACTOR	< 1.7		
EMI/RFI COMPLIANCE	FCC PART 18-A (NON-CONSUMER)		
SOUND RATING	" A "		
BALLAST TYPE	PROGRAMMED START		
VOLTAGE TRANSIENTS	MOV (ANSI C82.11)		
INPUT/PROTECTION	FUSE		
OUTPUT/PROTECTION	OPEN LAMP, SHORTED LAMP, END-OF-LIFE		
MIN. OPERATING TEMP	-30°C (-22°F)		
MAX. CASE TEMP	90°C (194°F) SEE FOOT NOTE WARRANTY		
APPROVALS/CLASS	UL /cUL LISTED, CLASS " P ", 1 OUTDOOR		
REMOTE MOUNTING	18 FT MAX.		

MECHANICAL DATA



Where : L = Length, W = Width, H = Height

WIRING DIAGRAMS



Use Wire Rated 300V, 90° c min. Use 18 AWG Solid Copper Wire Only Stripped to 3/8"

NOTE : This Ballast Must Be Grounded

Fulham extends a limited warranty only to the original purchaser or to the first user for a period of **5 years @ 75°C & 3 years @ 90°C** from the date of manufacture when properly installed and operated under normal conditions of use. For complete terms and conditions, please reference the Fulham product catalog (www.fulham.com) **Due to a program of continuous improvement, Fulham reserves the right to make modifications or variations in design or construction to the equipment described.**

SPECIFICATION SHEET : RHA-UNV-226-C

This Is An Original Product From Fulham Co., Inc

Description : RACEHORSE Series, Universal Operating Voltage, Programmed Start Ballast, End Of Life Protection, Auto Restart, Cold Starting Feature.

This Ballast Will Operate Following Lamps.



TWIN(FT), 4 PIN
13/18/24/36W



QUAD (CFQ), 4 PIN
26W



TRIPLE(CFTR)
26/32/42W



2D21/28/38W



CFM57W



CIRCLINE
T5CR22/40W

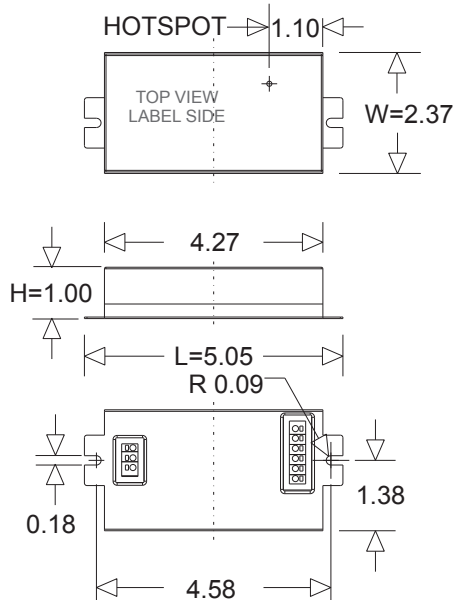


F24T5HO

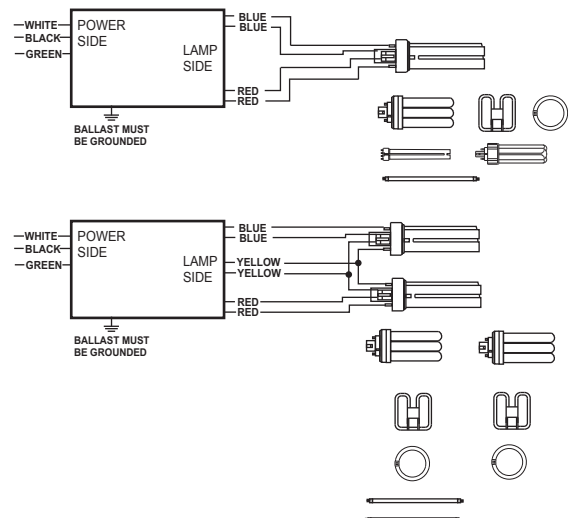
ELECTRICAL DATA (With 277 Volt Application)

INPUT VOLT: 277V ± 10%, 50/60Hz									
LAMP WATTS/TYPE	26CFQ	26CFTR	32CFTR	42CFTR	CFT13	CFT18	CFT24	CFT36	2D21
LAMPS OPERATED	1								
INPUT WATTS	30	28	31	44	17	18	27	34	25
LINE CURRENT:	0.11	0.10	0.12	0.16	0.07	0.07	0.10	0.13	0.09
POWER FACTOR	0.96	0.95	0.96	0.98	0.90	0.91	0.95	0.97	0.95
BALLAST FACTOR	1.06	1.06	0.98	0.98	1.26	1.00	1.06	0.88	1.44
EFFICACY FACTOR	3.59	3.83	3.17	2.21	7.36	5.49	3.98	2.59	5.83
THD	< 10%								
CURRENT CREST FACTOR	< 1.7								
EMI/RFI COMPLIANCE	FCC PART 18-A (NON-CONSUMER)								
SOUND RATING	" A "								
BALLAST TYPE	PROGRAMMED START								
VOLTAGE TRANSIENTS	MOV (ANSI C82.11)								
INPUT/PROTECTION	FUSE								
OUTPUT/PROTECTION	OPEN LAMP, SHORTED LAMP, END-OF-LIFE								
MIN. OPERATING TEMP	-30°C (-22°F)								
MAX. CASE TEMP	90°C (194°F) SEE FOOT NOTE WARRANTY								
APPROVALS/CLASS	UL /cUL LISTED, CLASS " P ", 1 OUTDOOR								
REMOTE MOUNTING	18 FT MAX.								

MECHANICAL DATA



WIRING DIAGRAMS



Use Wire Rated 300V, 90° c min. Use 18 AWG Solid Copper Wire Only Stripped to 3/8"

NOTE : This Ballast Must Be Grounded

Fulham extends a limited warranty only to the original purchaser or to the first user for a period of **5 years @ 75°C & 3 years @ 90°C** from the date of manufacture when properly installed and operated under normal conditions of use. For complete terms and conditions, please reference the Fulham product catalog (www.fulham.com) **Due to a program of continuous improvement, Fulham reserves the right to make modifications or variations in design or construction to the equipment described.**

SPECIFICATION SHEET : RHA-UNV-226-C

This Is An Original Product From Fulham Co., Inc

Description : RACEHORSE Series, Universal Operating Voltage, Programmed Start Ballast, End Of Life Protection, Auto Restart, Cold Starting Feature.

This Ballast Will Operate Following Lamps.



TWIN(FT), 4 PIN
13/18/24/36W



QUAD (CFQ), 4 PIN
26W



TRIPLE(CFTR)
26/32/42W



2D21/28/38W



CFM57W



CIRCLINE
T5CR22/40W

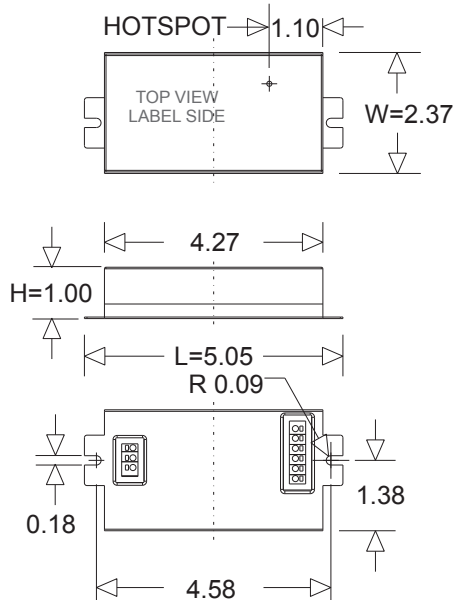


F24T5HO

ELECTRICAL DATA (With 277 Volt Application)

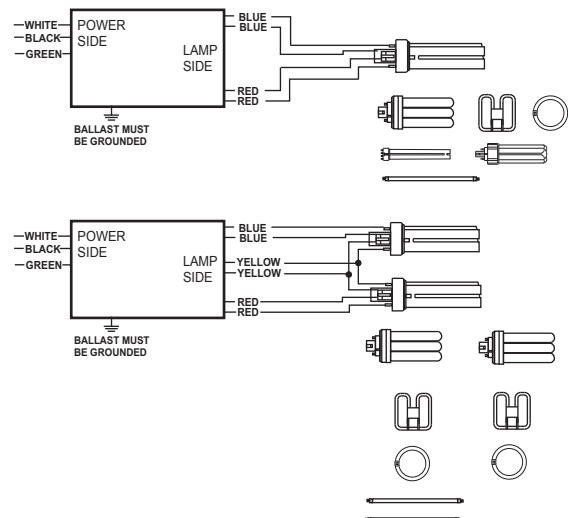
INPUT VOLT: 277V ± 10%, 50/60Hz									
LAMP WATTS/TYPE	2D28	2D38	F22WT5CR	F40WT5CR	CFM57	CFQ26	CFTR26	CFT18	CFT24
LAMPS OPERATED	1					2			
INPUT WATTS	33	32	27	40	51	58	51	34	49
LINE CURRENT:	0.12	0.12	0.10	0.15	0.19	0.21	0.19	0.13	0.18
POWER FACTOR	0.97	0.97	0.96	0.97	0.99	0.99	0.99	0.97	0.98
BALLAST FACTOR	1.26	0.89	1.07	0.98	0.97	1.00	1.00	0.97	1.00
EFFICACY FACTOR	3.83	2.76	3.98	2.48	1.89	1.72	1.95	2.82	2.05
THD	<10%								
CURRENT CREST FACTOR	< 1.7								
EMI/RFI COMPLIANCE	FCC PART 18-A (NON-CONSUMER)								
SOUND RATING	" A "								
BALLAST TYPE	PROGRAMMED START								
VOLTAGE TRANSIENTS	MOV (ANSI C82.11)								
INPUT/PROTECTION	FUSE								
OUTPUT/PROTECTION	OPEN LAMP, SHORTED LAMP, END-OF-LIFE								
MIN. OPERATING TEMP	-30°C (-22°F)								
MAX. CASE TEMP	90°C (194°F) SEE FOOT NOTE WARRANTY								
APPROVALS/CLASS	UL /cUL LISTED, CLASS " P ", 1 OUTDOOR								
REMOTE MOUNTING	18 FT MAX.								

MECHANICAL DATA



Where : L = Length, W = Width, H = Height

WIRING DIAGRAMS



Use Wire Rated 300V, 90° c min. Use 18 AWG Solid Copper Wire Only Stripped to 3/8"

NOTE : This Ballast Must Be Grounded

Fulham extends a limited warranty only to the original purchaser or to the first user for a period of **5 years @ 75°C & 3 years @ 90°C** from the date of manufacture when properly installed and operated under normal conditions of use. For complete terms and conditions, please reference the Fulham product catalog (www.fulham.com) **Due to a program of continuous improvement, Fulham reserves the right to make modifications or variations in design or construction to the equipment described.**

SPECIFICATION SHEET : RHA-UNV-226-C

This Is An Original Product From Fulham Co., Inc

Description : RACEHORSE Series, Universal Operating Voltage, Programmed Start Ballast, End Of Life Protection, Auto Restart, Cold Starting Feature.

This Ballast Will Operate Following Lamps.



TWIN(FT), 4 PIN
13/18/24/36W



QUAD (CFQ), 4 PIN
26W



TRIPLE(CFTR)
26/32/42W



2D21/28/38W



CFM57W



CIRCLINE
T5CR22/40W

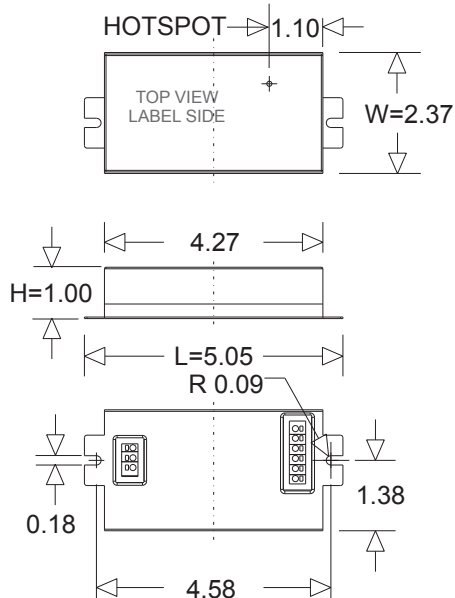


F24T5HO

ELECTRICAL DATA (With 277 Volt Application)

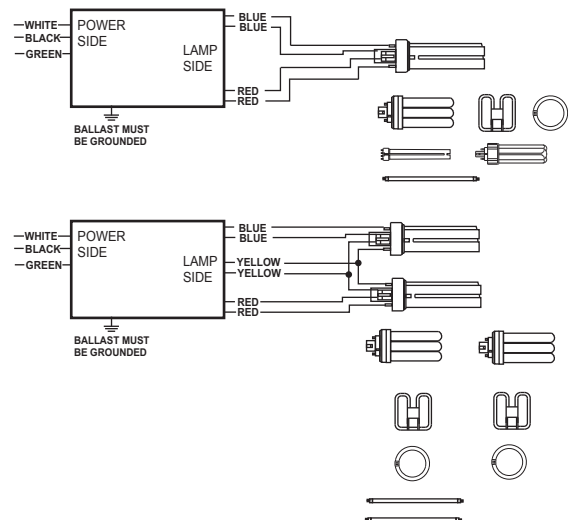
INPUT VOLT: 277V ± 10%, 50/60Hz			
LAMP WATTS/TYPE	CFT13	2D21	F24T5HO
LAMPS OPERATED	2		
INPUT WATTS	30	47	50
LINE CURRENT:	0.11	0.17	0.18
POWER FACTOR	0.96	0.98	0.99
BALLAST FACTOR	1.22	1.37	1.00
EFFICACY FACTOR	4.04	2.93	2.00
THD	<10%		
CURRENT CREST FACTOR	< 1.7		
EMI/RFI COMPLIANCE	FCC PART 18-A (NON-CONSUMER)		
SOUND RATING	" A "		
BALLAST TYPE	PROGRAMMED START		
VOLTAGE TRANSIENTS	MOV (ANSI C82.11)		
INPUT/PROTECTION	FUSE		
OUTPUT/PROTECTION	OPEN LAMP, SHORTED LAMP, END-OF-LIFE		
MIN. OPERATING TEMP	-30°C (-22°F)		
MAX. CASE TEMP	90°C (194°F) SEE FOOT NOTE WARRANTY		
APPROVALS/CLASS	UL /cUL LISTED, CLASS " P ", 1 OUTDOOR		
REMOTE MOUNTING	18 FT MAX.		

MECHANICAL DATA



Where : L = Length, W = Width, H = Height

WIRING DIAGRAMS



Use Wire Rated 300V, 90° c min. Use 18 AWG Solid Copper Wire Only Stripped to 3/8"

NOTE : This Ballast Must Be Grounded

Fulham extends a limited warranty only to the original purchaser or to the first user for a period of **5 years @ 75°C & 3 years @ 90°C** from the date of manufacture when properly installed and operated under normal conditions of use. For complete terms and conditions, please reference the Fulham product catalog (www.fulham.com) **Due to a program of continuous improvement, Fulham reserves the right to make modifications or variations in design or construction to the equipment described.**