

## Snap-In Medium Bi-Pin Fluorescent Lamp Lampholders

### APPLICATION and PERFORMANCE SPECIFICATION

**Description:** Snap-In big rotor lampholders for T8/T12 Lamps

- **Body:** PC Rotor PBT GF
- Base or lateral push-in terminals: 18AWG
- Laterl fixing clips for wall thickness 0.4-2mm
- 660W/600V
- UL Temperature Rating T130

Type	Ref. #	Lamp Axis (mm)	Shunted	Starter Holder	Drawing	Weight (g)	Packing Unit
27350	100548	23.5	-	-	A	5.8	1000 pcs <b>Replace by 537153</b>
27370	108293	23.5	X	-	B	6.1	1000 pcs <b>Replace by 537320</b>
27450	100557	23.5	-	X	C	9	1000 pcs
27360	100552	30	-	-	D	6	1000 pcs <b>Replace by 539128</b>
27460	100559	30	-	X	E	9.3	1000 pcs

**Safety:**

- cULus listed - Indoor Use (E110363)
- ENEC

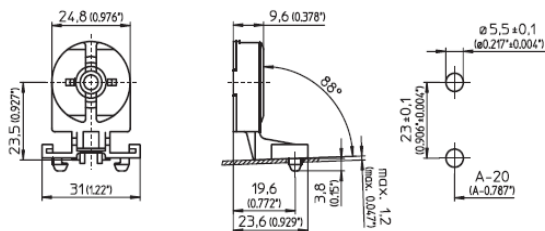


**Performance:**

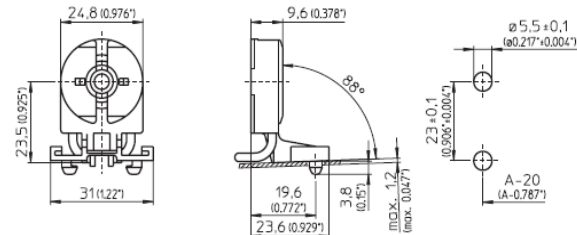
- Meets ANSI Standard C81.62-2009
- Meets IEC Standard 60400
- Lampholders meet IP20 standard except were otherwise noted

**Warranty:**

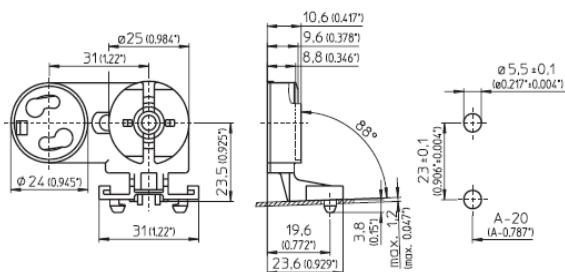
Universal Lighting Technologies warrants to the purchaser that each lampholder will be free from defects in material or workmanship for a period of 3 years from date of manufacture when properly installed and under normal conditions of use. Call **1-800-BALLASTx800** for technical assistance.



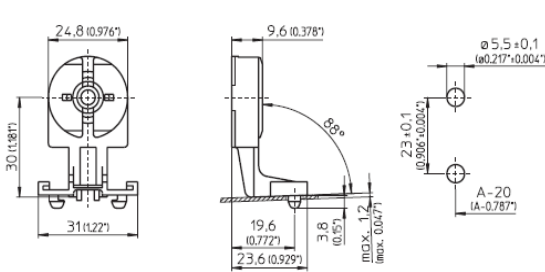
**Drawing A**



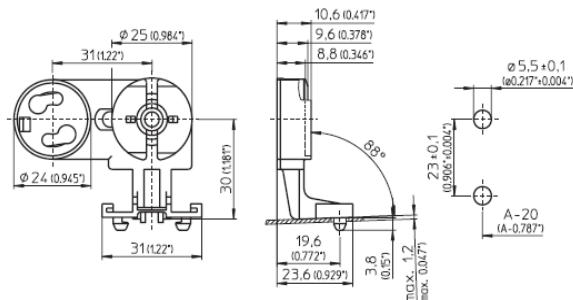
**Drawing B**



**Drawing C**



**Drawing D**



**Drawing E**