

SP4827P

Ballast Type: Electromagnetic
 Input Voltage: 277VAC+5%,-10%
 Input Frequency: 60 Hz.

Starting Method: Preheat
 Lamp Connection: Series
 Unit Color: Raw

Unit Weight: 0.72 lb
 Carton Quantity: 50
 Skid Quantity: 3000

ELECTRICAL SPECIFICATION:

Line Voltage (V)	Lamp Type	Lamp Watts	No. of Lamps	Line Current (A)	Input Power (W)	Power Factor	Max Current THD (%)	Current Crest Factor	Ballast Factor	Wiring Diagram	B.E.F.
277	F4T5	4	1	0.16	8	≥ 0.40	≤10	≤1.7	0.95	001	11.88
277	F6T5	6	1	0.15	9	≥ 0.45	≤10	≤1.7	0.95	001	10.56
277	F8T5	8	1	0.14	9	≥ 0.50	≤10	≤1.7	1.00	001	11.11
277	CFT5W/G23	5	1	0.18	10	≥0.22	≤15	≤1.7	1.00	101	10.00
277	CFT7W/G23	7	1	0.16	11	≥0.25	≤15	≤1.7	0.90	101	8.18
277	CFT9W/G23	9	1	0.15	11	≥0.27	≤15	≤1.7	0.85	101	7.73
277	CFQ9W/G23	9	1	0.15	11	≥0.27	≤15	≤1.7	0.85	101	7.73

PERFORMANCE:

- Electromagnetic reactor type ballast
- Preheat start
- Series operation
- Normal power factor
- Clamped core and coil
- Sound rated A
- Meets ANSI C82.1

APPLICATION:

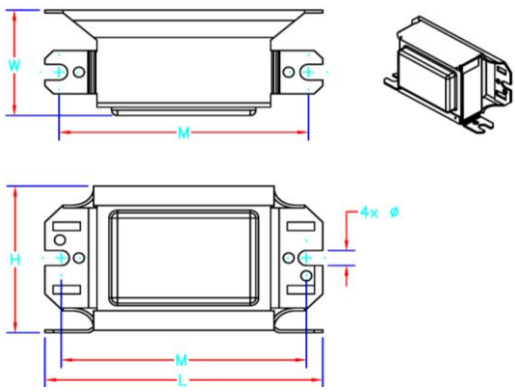
- Maximum case temperature: 194°F/90°C
- Maximum ambient temperature: 104°F/40°C
- Minimum starting temperature CFL: 0°F/-18°C
- Minimum starting temperature Linear: 50°F/10°C
- Remote mounting: 10ft.

SAFETY:

- UL listed (Class P, Type HL, Type 1 outdoor)
- Automatic reset thermal protector
- No PCB's
- RoHS Compliant

STYLE:

2X



H	W	L	M	Ø
1 23/32	1 3/8	3 1/16	2 3/4	3/16
1.72	1.38	3.06	2.75	0.19
4.34 cm	3.51 cm	7.77 cm	6.99 cm	0.47 cm

WARRANTY

Robertson Worldwide warrants to the purchaser that this ballast will be free from defects in material or workmanship for a period of 2 years from date of manufacture when properly installed and under normal conditions of use. For more information on Robertson Worldwide's ballasts, call 1-800-323-5633 or visit www.robertsonww.com. Specifications subject to change without notice.

WIRING DIAGRAM:
