

## Butt-On Medium Bi-Pin Fluorescent Lamp Lampholders

### APPLICATION and PERFORMANCE SPECIFICATION

**Description:** T8/T12 Lampholder Shunted and Non-Shunted Version

- Body: PC Face: PBT GF; Shunted version body of PBT GF
- For wall thicknesses 0.5mm-0.8mm
- Shunted models ①compliant
- 660W / 600V
- IEC Temperature Rating T 140

Type	Ref. #	Thickness	Spring	Internal Shunting	Drawing	Weight (g)	Packing Unit
47105	509152	13mm	-	-	A	4.6	1000 pcs
47105	509153	13mm	-	X	A	4.6	1000 pcs
47106	509154	13mm	X	-	A	5.4	1000 pcs
47106	509155	13mm	X	X	A	5.4	1000 pcs
47505	509162	9.5mm	-	-	B	4.4	1000 pcs
47505	509163	9.5mm	-	X	B	4.4	1000 pcs
47506	509164	9.5mm	X	-	B	5.1	1000 pcs
47506	509165	9.5mm	X	X	B	5.1	1000 pcs

**Safety:**

- cUL-US listed - Indoor Use (E110363)
- ENEC

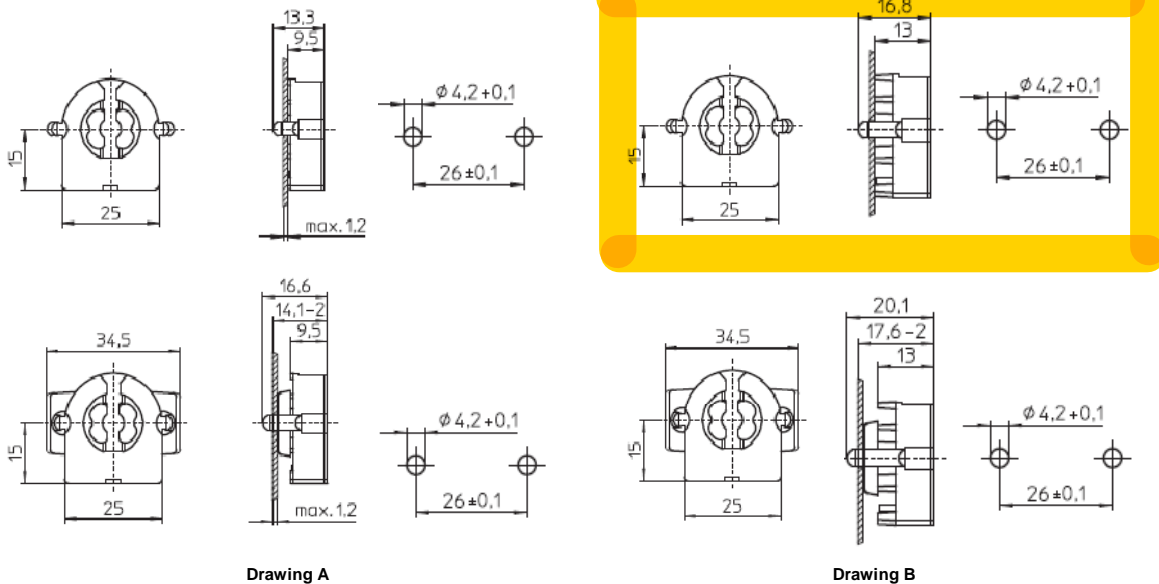


**Performance:**

- Meets ANSI Standard C81.62-2009
- Meets IEC Standard 60400
- Lampholders meet IP20 standard except were otherwise noted

**Warranty:**

Universal Lighting Technologies warrants to the purchaser that each lampholder will be free from defects in material or workmanship for a period of 3 years from date of manufacture when properly installed and under normal conditions of use. Call **1-800-BALLASTx800** for technical assistance.



Drawing A

Drawing B

