



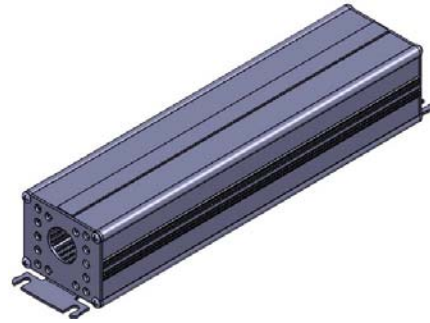
DL-PS-60/24-JBA

LED POWER SUPPLIES
24V DC with Aluminum Enclosure

Type	
Project	
Catalog No.	

FEATURES

- UL Listed Class 2 power output
- Short circuit, Overload, Over voltage protection; auto-recovery
- Built-in wiring compartments for easy installation
- EMC Compliant to EN55022 (CISPR22) Class B, EN61000-3-2 Class A, EN61000-3-3
- Withstand 300VAC surge input for 5 seconds
- 100% full load burn-in test



SPECIFICATIONS

INPUT

Voltage Range	90 ~ 264VAC
Frequency Range	47 ~ 63Hz
Efficiency	86% typical
Current (Typical)	1.2A @ 115VAC 1A @ 230VAC
Inrush Current	Cold start maximum 30A @ 115VAC 60A @ 230VAC

OUTPUT

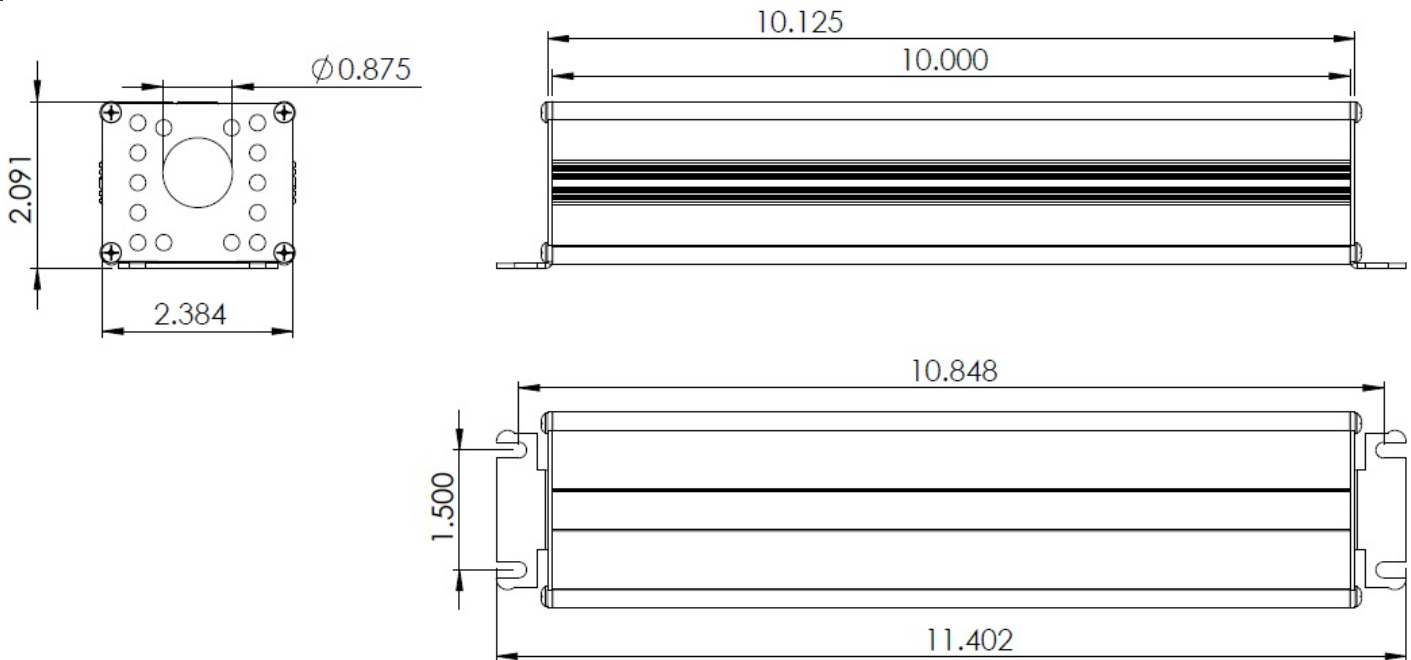
Voltage	24VDC
Rated Power	60W
Current Range	0 ~ 2.5A

ENVIRONMENT

MTBF	732K hours @ 25°C ambient
Vibration Frequency	10 to 500Hz
Housing	Aluminum
Operating Temperature †	-30°C to 70°C
Humidity (Non-condensing)	10 ~ 95% RH
Environment	Dry
Certifications	UL2108 / UL1310 Class 2 CSA-C22.2 No. 250.0

† Refer to "Derating Curve"

DIMENSIONS



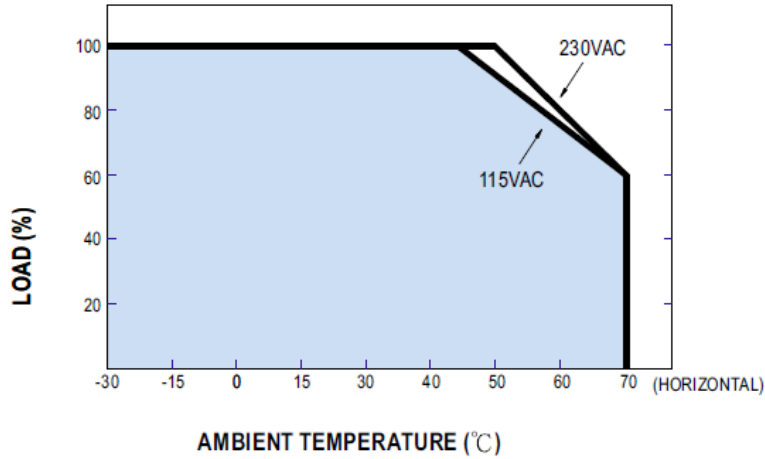


DL-PS-60/24-JBA

LED POWER SUPPLIES
24V DC with Aluminum Enclosure

Type	
Project	
Catalog No.	

Derating Curve



Static Characteristics

