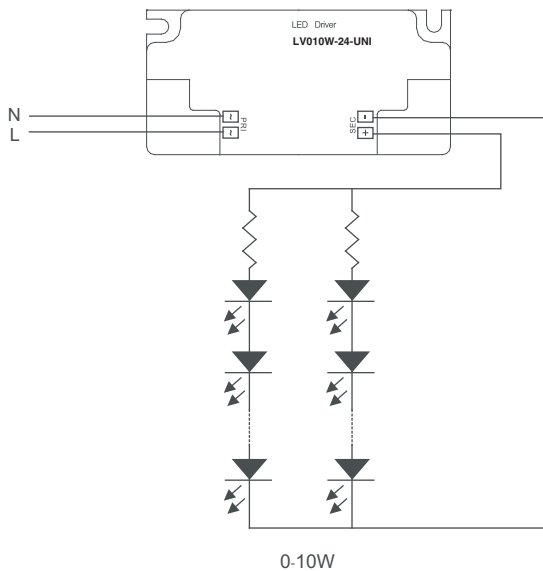


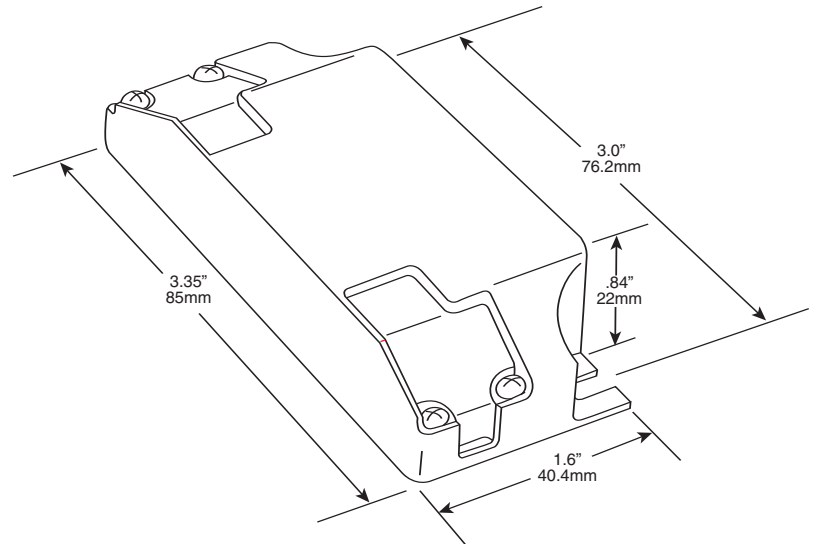
ELECTRONIC SPECIFICATIONS

Input Voltage Range.....	90-264VAC
Input Frequency.....	50/60Hz
Output Power.....	1-10W
Input Current.....	100mA@230VAC
Output Voltage.....	23.76-24.24VDC
Output Current.....	40-420mA
Power Factor.....	0.55
Ambient Temp.....	-20°-+50°C
Case Temp. (Tc).....	+90°C

WIRING DIAGRAM



DIMENSIONS



LED TYPE

0.04-0.1W

Terminals	:	Screw Type Terminal
Case Material	:	Polycarbonate
RoHS Compliant	:	Yes
UL1310 Compliant	:	Yes
Indoor Use	:	Low Humidity / No Condensation

Regulatory Approvals

