

Project Name:	
Type:	

Q2-Uxx Series

100 Watts max | 110 - 277VAC

PRODUCT FEATURE

- Universal input range from 100VAC~304VAC, 50/60Hz
- Versatile mechanical design maximizes design flexibility.
- Dimensions, refer to drawings (various styles of mech. Cases)
- Fully potted, suitable for dry and damp location applications
- 3 in 1 Dimming Control plus "ENABLE", low dim "ON".
- UL Listed with HL and CE compliant
- Wide selection of pre-adjusted CC and CV outputs (factory setting)



ELECTRICAL SPECIFICATIONS

INPUT RANGE	:	100 - 277VAC / 0.3/ 0.15A; 47-63Hz
POWER FACTOR	:	> 0.92 at 65% to 100% load, 115VAC or 230VAC
INPUT CURRENT	:	1.1 Amps max. at 115VAC
OUTPUT CURRENT REGULATION	:	±5%
PROTECTION	:	OCP, SCP, OLP – Auto Recovery
CONTROL	:	0-10V dimmer; PWM (250-3KHz); Potentiometer; Enable
HOLD UP TIME	:	Half cycle min. at 120VAC and 80% rated load
FREQUENCY	:	47 to 63Hz
INRUSH CURRENT	:	10.0 Amps max. at 230VAC, cold start 25°C
EFFICIENCY	:	87% Typical
MAXIMUM POWER	:	100W
LEAKAGE CURRENT	:	3mA typ.
DIMENSION	:	155 x 64 x 40 mm (L x W x H) and others
REGULATION COMPLIANCE	:	UL8750 or EN61347, EN55015, EN61547

ENVIRONMENTAL

OPERATING TEMPERATURE	:	-40 to 50°C, Tc: 85°C
STORAGE TEMPERATURE	:	-40 to + 85°C
HUMIDITY (NON-CONDENSING)	:	5% to 95%
COOLING	:	Convection
VIBRATION FREQUENCY	:	5 to 50Hz
MTBF	:	>100,00 Hours at full load and 25°C ambient conditions (TELC3 – Telcordia SR-332, Issue 3)

WARRANTY

- See [Limited Warranty Policy](#) for more additional information.

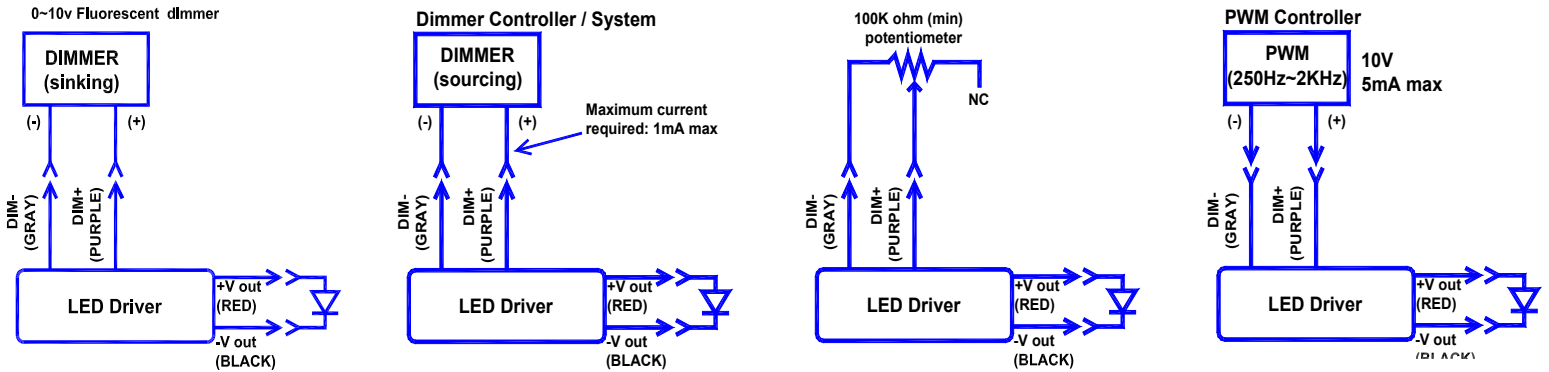
MODEL SELECTION

MODEL NO.	INPUT			OUTPUT						CLASS 2	
	VOLTAGE (VAC)	FREQ (HZ)	CURRENT (A)	POWER (W)	VOLTAGE (VDC)				CURRENT (MA)		YES/NO
				MAX.	MIN.	NOM.	MAX.	MIN.	MAX.		
Q2-U12-Cyyyy-zz	110~277Vac	50/60	1.10~0.43	75	7	12	15	2500	5000	Yes	
Q2-U24-Cyyyy-zz	110~277Vac	50/60	1.10~0.43	100	15	24	27	1900	5000	Yes	
Q2-U36-Cyyyy-zz	110~277Vac	50/60	1.10~0.43	100	23	36	39	1300	3340	Yes	
Q2-U48-Cyyyy-zz	110~277Vac	50/60	1.10~0.43	100	31	48	51	1000	2550	Yes	
Q2-U54-Cyyyy-zz	110~277Vac	50/60	1.10~0.43	100	35	54	57	900	2290	Yes	

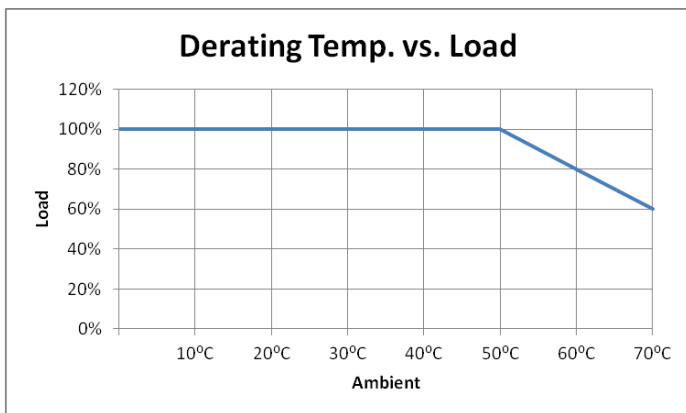
Q2-Uxx Series

100 Watts max | 110 - 277VAC

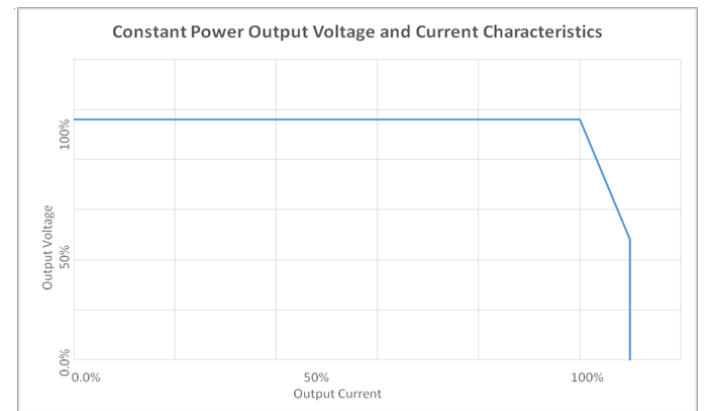
DIMMING WIRING DIAGRAM (Standard: "low dim on"; "low dim off" is available upon request)



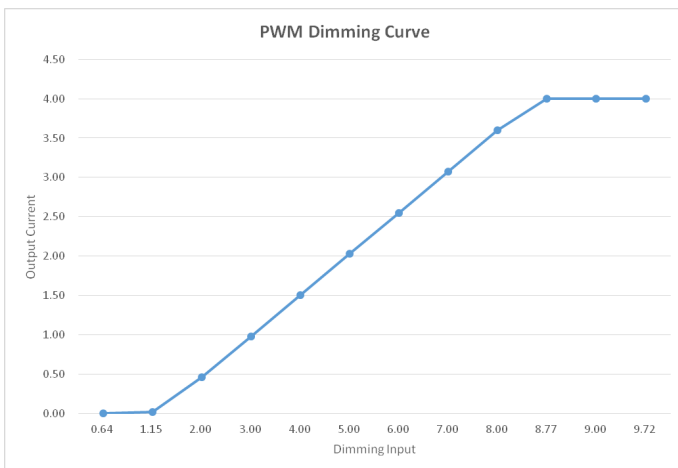
DE-RATING TEMP. VS. LOAD



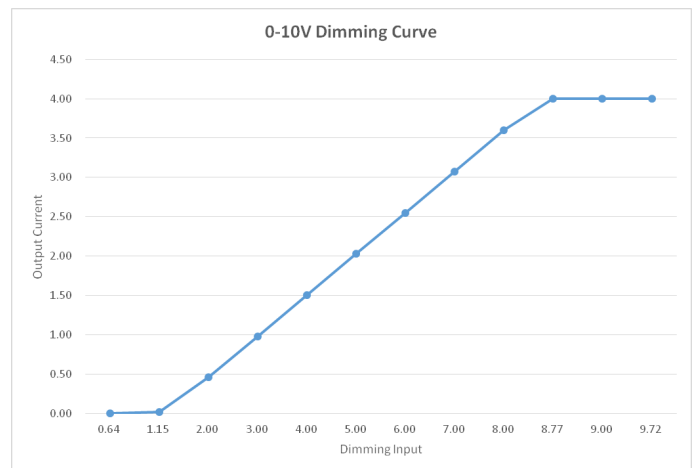
CONSTANT POWER OUTPUT VOLTAGE VS. CURRENT



PWM DIMMING CURVE



1-10V DIMMING CURVE

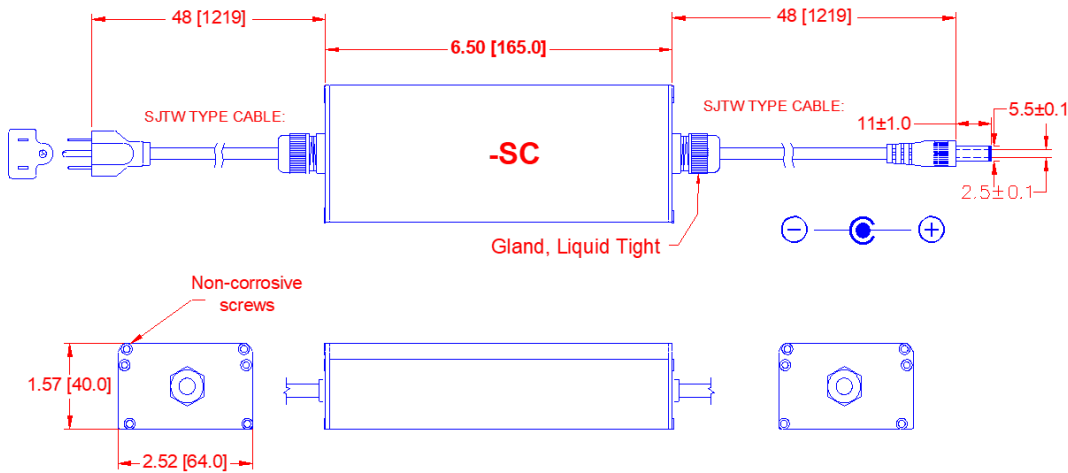


Project Name:	
Type:	

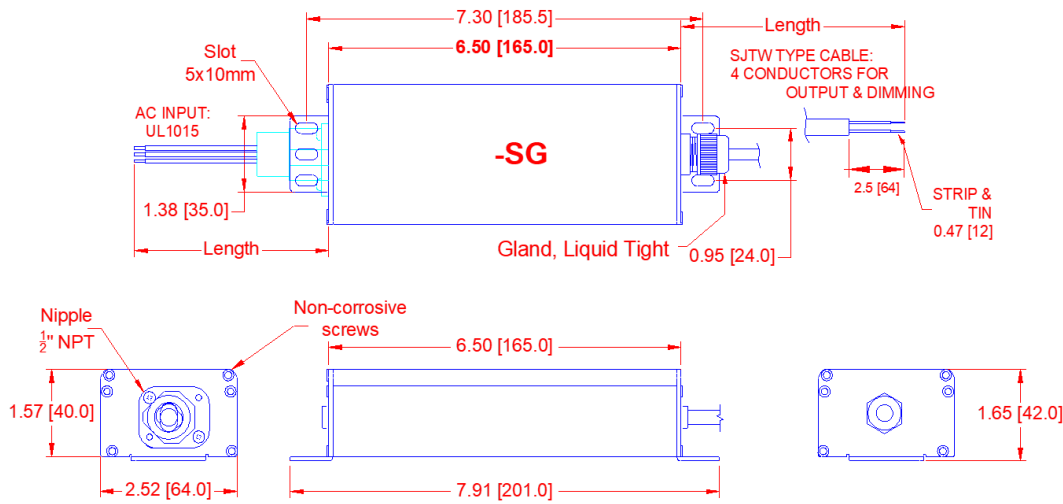
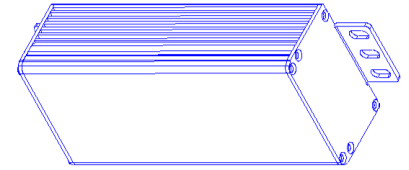
Q2-Uxx Series

100 Watts max | 110 - 277VAC

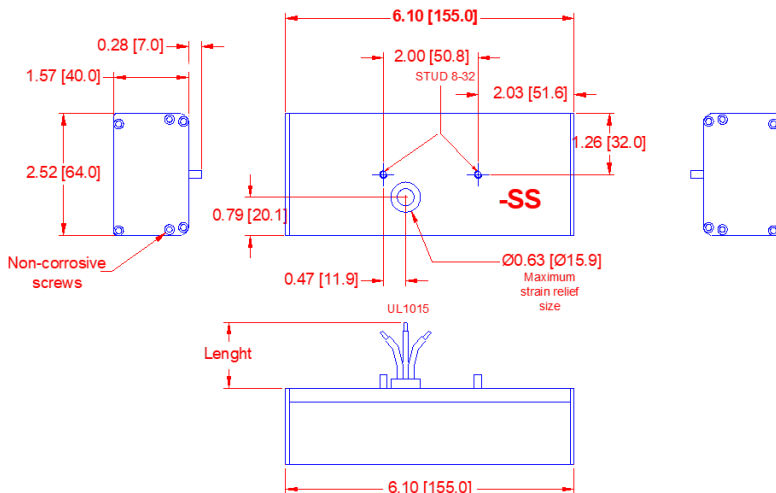
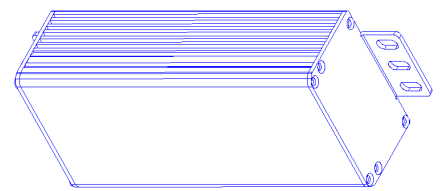
MECHANICAL DRAWING Q2-Uxx-Cyyyy-zz



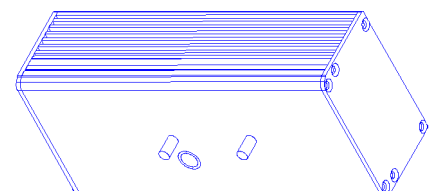
SC: 6.50 (L) x 2.52 (W) x 1.57 (H) in.
165 x 64 x 40 mm
UL Listed



SG: 6.50 (L) x 2.52 (W) x 1.57 (H) in.
165 x 64 x 40 mm
UL Listed



SS: 6.10 (L) x 2.52 (W) x 1.57 (H) in.
155 x 64 x 40 mm
UL Listed



Project Name:	
Type:	

Q2-Uxx Series

100 Watts max | 110 - 277VAC

MECHANICAL DRAWING Q2-Uxx-Cyyyy-zz

