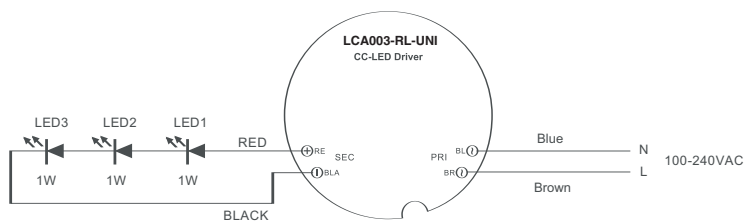




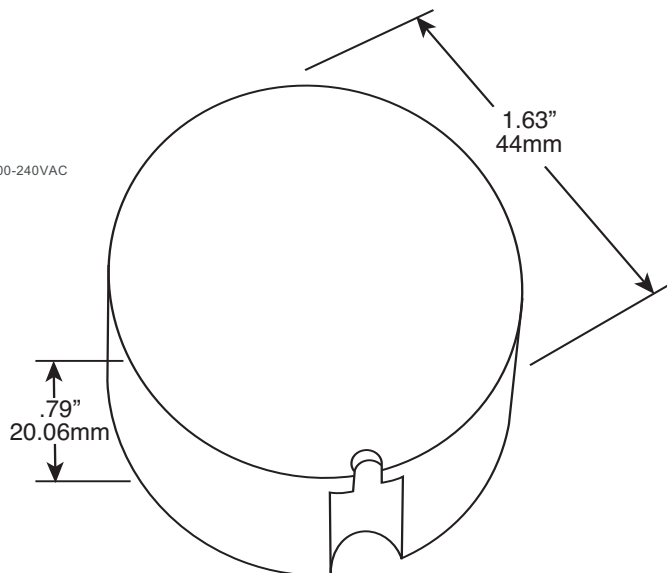
ELECTRONIC SPECIFICATIONS

| | |
|---------------------|-------------|
| Input Voltage Range | 90-264VAC |
| Input Frequency | 50/60Hz |
| Output Power | 1-3W |
| Input Current | 40mA@230VAC |
| Output Voltage | 3-9VDC |
| Output Current | 350mA |
| Power Factor | 0.55 |
| Ambient Temp. | -20°+50°C |
| Case Temp. (Tc) | +90°C |
| Class 2 | Yes |

WIRING DIAGRAM



DIMENSIONS



LED TYPE

High power LED 1W x 1-3
1.2W x 1-3

| | | |
|------------------|---|--|
| Terminals | : | Hard Wires : PRI : Blue/Brown 155mm SEC : Red/Black 200mm |
| Case Material | : | Polycarbonate / Potted |
| RoHS Compliant | : | Yes |
| UL1310 Compliant | : | Yes |
| Indoor Use | : | Low Humidity / No Condensation |

Regulatory Approvals

