



L.T.F. Dimmable Low Voltage LED Driver - CLASS 2

12W DA12W 120V Series Constant Current / Constant Voltage



Efficiency	higher than 85%
Power Factor	>95%
Case TC	90C° Max.
Protection	Input / Output
Storage	-30°C / +90°C
Humidity	95% RH Max.
IP Rating	IP 60, 65, 67
Class	Class 2 Power Supply
Dimming	ELV & Triac Dimmable
Optional Dimming	0-10V



Intertek



RoHS



FCC Part 15
Class B compliant



* Ask for more
Information

FEATURES

- Isolated output power per NEC and UL safety requirements
- UL and ETL recognized/ Listed, UL 8750, 1310
- Auto-reset ; Short circuit, Overload and Thermal protection
- Dimmable with ELV and Triac type dimmers
- Aluminum casing for optimal heat dissipation
- Low profile, small form factor, junction box mountable
- Flicker free dimming and excellent dimming range
- Class 2 power supply and other than Class 2 options
- Efficient, high power factor, low THD, FCC compliant

ELECTRICAL SPECIFICATIONS

Constant Current					
Model #	Input Voltage	Input Current	Output Voltage	Output Current	Available Form Factors
DA12W220C	120V AC 50/60Hz	0.1 A	54.5V DC	220 mA	A4, B5, PL1
DA12W280C	120V AC 50/60Hz	0.1 A	42.8V DC	280 mA	A4, B5, PL1
DA12W320C	120V AC 50/60Hz	0.1 A	37.5V DC	320 mA	A4, B5, PL1
DA12W350C	120V AC 50/60Hz	0.1 A	34.3V DC	350 mA	A4, B5, T11, PL1
DA12W420C	120V AC 50/60Hz	0.1 A	28.5V DC	420 mA	A4, B5, PL1
DA12W440C	120V AC 50/60Hz	0.1 A	27.2V DC	440 mA	A4, B5, PL1
DA12W500C	120V AC 50/60Hz	0.1 A	24.0V DC	500 mA	A4, B5, PL1
DA12W550C	120V AC 50/60Hz	0.1 A	21.8V DC	550 mA	A4, B5, PL1
DA12W620C	120V AC 50/60Hz	0.1 A	19.3V DC	620 mA	A4, B5, PL1
DA12W700C	120V AC 50/60Hz	0.1 A	17.0V DC	700 mA	A4, B5, PL1
DA12W750C	120V AC 50/60Hz	0.1 A	16.0V DC	750 mA	A4, B5, PL1
DA12W900C	120V AC 50/60Hz	0.1 A	13.3V DC	900 mA	A4, B5, PL1
DA12W1000C	120V AC 50/60Hz	0.1 A	12.0V DC	1000 mA	A4, B5, PL1



Constant Voltage					
Model #	Input Voltage	Input Current	Output Voltage	Output Current	Available Form Factors
DA12W12V	120V AC 50/60Hz	0.1 A	12V DC	1000 mA	A4, B5, PL1
DA12W24V	120V AC 50/60Hz	0.1 A	24V DC	500 mA	A4, B5, PL1

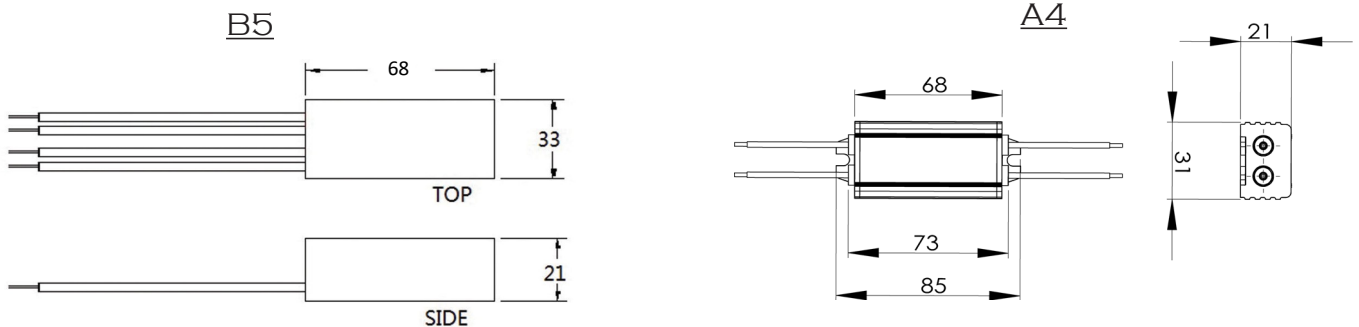
Dimming Guide	
Model #	Dimming Code
(L) DA12WXXXX	Standard Dimming
(L) DA12WXXXXD010	0-10V Dimming
(L) DA12WXXXXDALI	DALI Dimming

Remote Enclosure Option	
Model #	Remote Enclosure
LDA12WXXXXRE	G1
LDA12WXXXXREO	G4

MECHANICAL SPECS.

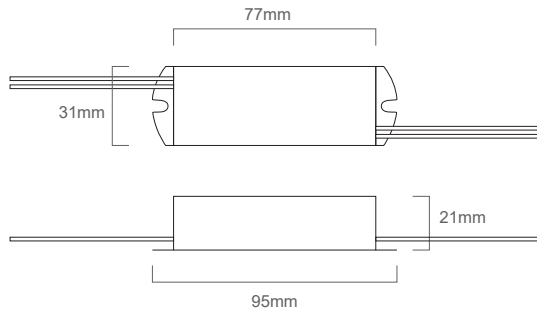
Available Form Factors	Dimensions
"A4"	68X31X21mm
"B5"	68X33X21mm
"T11"	95x31x21mm
"PL1"	90x49x33mm
"G1"	207X50.8X43mm
"G4"	238X66X48mm

0-10V dimming not available in A4 case.

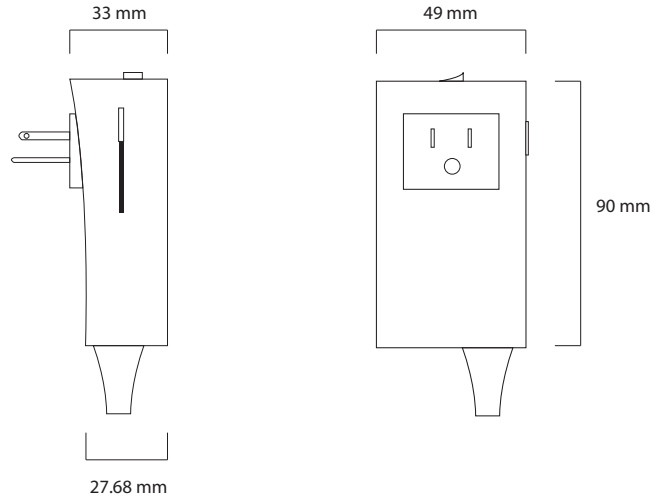




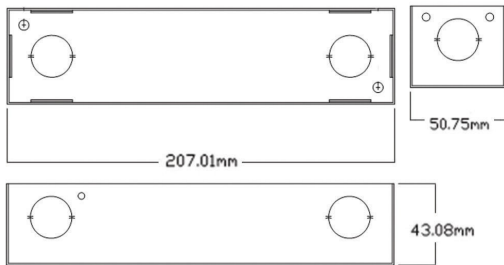
T11



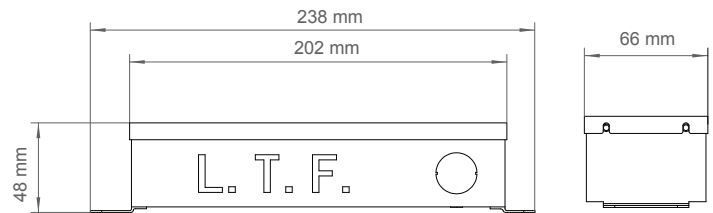
PL1



G1



G4





L.T.F

Dimmable Low Voltage LED Driver - CLASS 2

12W DE12W 277V Series

Constant Current / Constant Voltage



Efficiency	higher than 85%
Power Factor	>95%
Case TC	90°C Max.
Protection	Input / Output
Storage	-30°C / +90°C
Humidity	95% RH Max.
IP Rating	IP 60, 65, 67
Class	Class 2 Power Supply
Dimming	ELV & Triac Dimmable
Optional Dimming	0-10V



Intertek



RoHS



FCC Part 15
Class B compliant



* Ask for more
Information

FEATURES

- Isolated output power per NEC and UL safety requirements
- UL and ETL recognized/ Listed, UL 8750, 1310
- Auto-reset ; Short circuit, Overload and Thermal protection
- Dimmable with ELV and Triac type dimmers
- Aluminum casing for optimal heat dissipation
- Low profile, small form factor, junction box mountable
- Flicker free dimming and excellent dimming range
- Class 2 power supply and other than Class 2 options
- Efficient, high power factor, low THD, FCC compliant

ELECTRICAL SPECIFICATIONS

Constant Current					
Model #	Input Voltage	Input Current	Output Voltage	Output Current	Available Form Factors
DE12W220C	277V AC 50/60Hz	0.04 A	54.5V DC	220 mA	A4, B5
DE12W280C	277V AC 50/60Hz	0.04 A	42.8V DC	280 mA	A4, B5
DE12W320C	277V AC 50/60Hz	0.04 A	37.5V DC	320 mA	A4, B5
DE12W350C	277V AC 50/60Hz	0.04 A	34.3V DC	350 mA	A4, B5
DE12W420C	277V AC 50/60Hz	0.04 A	28.5V DC	420 mA	A4, B5
DE12W440C	277V AC 50/60Hz	0.04 A	27.2V DC	440 mA	A4, B5
DE12W500C	277V AC 50/60Hz	0.04 A	24.0V DC	500 mA	A4, B5
DE12W550C	277V AC 50/60Hz	0.04 A	21.8V DC	550 mA	A4, B5
DE12W620C	277V AC 50/60Hz	0.04 A	19.3V DC	620 mA	A4, B5
DE12W700C	277V AC 50/60Hz	0.04 A	17.0V DC	700 mA	A4, B5
DE12W750C	277V AC 50/60Hz	0.04 A	16.0V DC	750 mA	A4, B5
DE12W900C	277V AC 50/60Hz	0.04 A	13.3V DC	900 mA	A4, B5
DE12W1000C	277V AC 50/60Hz	0.04 A	12.0V DC	1000 mA	A4, B5



Constant Voltage					
Model #	Input Voltage	Input Current	Output Voltage	Output Current	Available Form Factors
DE12W12V	277V AC 50/60Hz	0.04 A	12V DC	1000 mA	A4, B5
DE12W24V	277V AC 50/60Hz	0.04 A	24V DC	500 mA	A4, B5

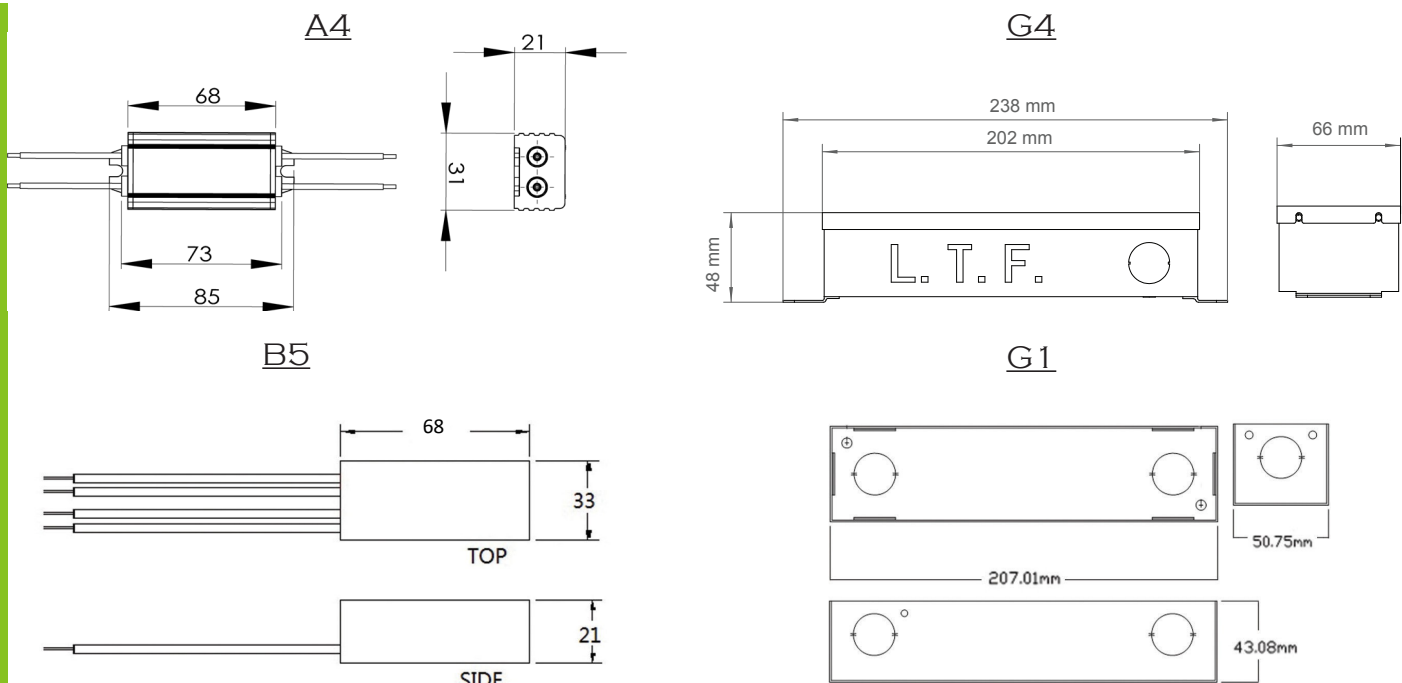
Dimming Guide	
Model #	Dimming Code
(L) DE12WXXXX	Standard Dimming
(L) DE12WXXXXD010	0-10V Dimming
(L) DE12WXXXXDALI	DALI Dimming

Remote Enclosure Option	
Model #	Remote Enclosure
LDE12WXXXXRE	G1
LDE12WXXXXREO	G4

MECHANICAL SPECS.

Available Form Factors	Dimensions
"A4"	68X31X21mm
"B5"	68X33X21mm
"G1"	207X50.8X43mm
"G4"	238X66X48mm

0-10V dimming not available in A4 case.





L.T.F

Dimmable Low Voltage LED Driver - CLASS 2



12W DU12W 220-240V Series Constant Current / Constant Voltage



Efficiency	higher than 85%
Power Factor	>95%
Case TC	90°C Max.
Protection	Input / Output
Storage	-30°C / +90°C
Humidity	95% RH Max.
IP Rating	IP 60, 65, 67
Class	Class 2 Power Supply
Dimming	ELV & Triac Dimmable
Optional Dimming	0-10V



Intertek



RoHS



FCC Part 15
Class B compliant



* Ask for more
Information

FEATURES

- Isolated output power per NEC and UL safety requirements
- UL and ETL recognized/ Listed, UL 8750, 1310
- Auto-reset ; Short circuit, Overload and Thermal protection
- Dimmable with ELV and Triac type dimmers
- Aluminum casing for optimal heat dissipation
- Low profile, small form factor, junction box mountable
- Flicker free dimming and excellent dimming range
- Class 2 power supply and other than Class 2 options
- Efficient, high power factor, low THD, FCC compliant

ELECTRICAL SPECIFICATIONS

Constant Current					
Model #	Input Voltage	Input Current	Output Voltage	Output Current	Available Form Factors
DU12W220C	220-240V AC 50/60Hz	0.05 A	54.5V DC	220 mA	A4, B5
DU12W280C	220-240V AC 50/60Hz	0.05 A	42.8V DC	280 mA	A4, B5
DU12W320C	220-240V AC 50/60Hz	0.05 A	37.5V DC	320 mA	A4, B5
DU12W350C	220-240V AC 50/60Hz	0.05 A	34.3V DC	350 mA	A4, B5
DU12W420C	220-240V AC 50/60Hz	0.05 A	28.5V DC	420 mA	A4, B5
DU12W440C	220-240V AC 50/60Hz	0.05 A	27.2V DC	440 mA	A4, B5
DU12W500C	220-240V AC 50/60Hz	0.05 A	24.0V DC	500 mA	A4, B5
DU12W550C	220-240V AC 50/60Hz	0.05 A	21.8V DC	550 mA	A4, B5
DU12W620C	220-240V AC 50/60Hz	0.05 A	19.3V DC	620 mA	A4, B5
DU12W700C	220-240V AC 50/60Hz	0.05 A	17.0V DC	700 mA	A4, B5
DU12W750C	220-240V AC 50/60Hz	0.05 A	16.0V DC	750 mA	A4, B5
DU12W900C	220-240V AC 50/60Hz	0.05 A	13.3V DC	900 mA	A4, B5
DU12W1000C	220-240V AC 50/60Hz	0.05 A	12.0V DC	1000 mA	A4, B5



Constant Voltage					
Model #	Input Voltage	Input Current	Output Voltage	Output Current	Available Form Factors
DU12W12V	220-240V AC 50/60Hz	0.05 A	12V DC	1000 mA	A4, B5
DU12W24V	220-240V AC 50/60Hz	0.05 A	24V DC	500 mA	A4, B5

Dimming Guide	
Model #	Dimming Code
(L) DU12WXXXX	Standard Dimming
(L) DU12WXXXXD010	0-10V Dimming
(L) DU12WXXXXDALI	DALI Dimming

Remote Enclosure Option	
Model #	Remote Enclosure
LDU12WXXXXRE	G1
LDU12WXXXXREO	G4

MECHANICAL SPECS.

Available Form Factors	Dimensions
"A4"	68X31X21mm
"B5"	68X33X21mm
"G1"	207X50.8X43mm
"G4"	238X66X48mm

0-10V dimming not available in A4 case.

