

## 015P

Ballast Type: Electromagnetic  
 Input Voltage: 120VAC+5%,-10%  
 Input Frequency: 60 Hz.

Starting Method: Preheat  
 Lamp Connection: Series  
 Unit Weight: 0.70 lbs

**ELECTRICAL SPECIFICATION:**

Line Voltage (V)	Lamp Type	Lamp Watts	No. of Lamps	Line Current (A)	Input Power (W)	Power Factor	Max Current THD (%)	Current Crest Factor	Ballast Factor	Wiring Diagram
120	CFT13W/GX23, CFQ13W/GX23	13	1	0.28	16	≥0.50	≤15	≤1.7	0.95	101
120	F15T8	15	1	0.26	17	≥0.53	≤10	≤1.7	0.87	001
120	F15T12	15	1	0.28	18	≥0.52	≤10	≤1.7	0.87	001
120	F20T12	20	1	0.25	17	≥0.58	≤10	≤1.7	0.70	001

**PERFORMANCE:**

- Electromagnetic reactor type ballast
- Normal power factor
- Series operation
- Sound rated A
- Open core and coil
- Meets ANSI C82.1

**APPLICATION:**

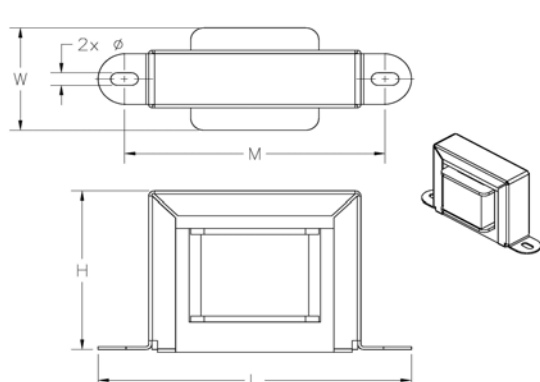
- Maximum case temperature: 194°F/90°C
- Maximum ambient temperature: 104°F/40°C
- Minimum starting temperature CFL: 32°F/0°C
- Minimum starting temperature Linear: 50°F/10°C
- Remote mounting: 10 ft.

**SAFETY:**

- UL/935 (Class P, Type 1 outdoor)
- CSA/C22.2 certified
- Automatic reset thermal protector
- No PCB's

**STYLE:**

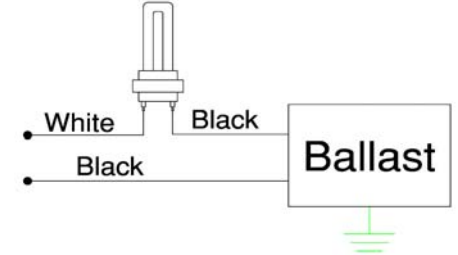
**1A**



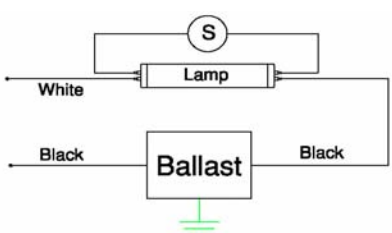
H	W	L	M	Ø
1 5/8	1 5/32	2 13/16	2 3/8	3/16
1.63	1.16	2.81	2.38	0.19
4.13 cm	2.94 cm	7.14 cm	6.03 cm	0.47 cm

**WIRING DIAGRAM:**

**101**



**001**



Standard lead lengths:  
 • Blk: 7" x 15" \* 3/8" Strip

**WARRANTY**

Robertson Worldwide warrants to the purchaser that this ballast will be free from defects in material or workmanship for a period of 2 years from date of manufacture when properly installed and under normal conditions of use. For more information on Robertson Worldwide's ballasts, call 1-800-323-5633 or visit [www.robertsonww.com](http://www.robertsonww.com). For our energy star compliant ballasts, visit [www.nema.org/lampballastmatrix/](http://www.nema.org/lampballastmatrix/)

Revised 06/08/04

**ROBERTSON WORLDWIDE**

 13611 Thornton Rd, Blue Island, IL 60406, TEL: 1-800-323-5633, FAX: 1-877-388-2420, [www.robertsonww.com](http://www.robertsonww.com)