

15W DA15W-3001 Series

Constant Current - Constant Voltage



Efficiency	>80%
Power Factor	>0.90
Case TC	90°C Max.
Protection	Input / Output
Storage	-30°C / +90°C
Humidity	95% RH Max.
IP Rating	IP44
Class	Class 2 power supply
Dimming	ELV, TRIAC
Output Voltage or Constant Current	200mA - 500mA



- Fully dimmable with ELV & Triac dimmers
- Flicker Free dimming
- Title 24 compliant
- Isolated output power per NEC and UL safety requirements
- UL & ETL recognized / listed, meets UL 8750, 1210 requirements
- Aluminum casing for optimal heat dissipation

FEATURES

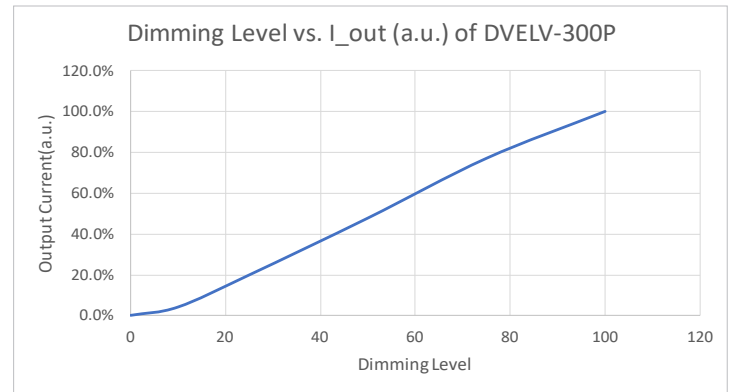
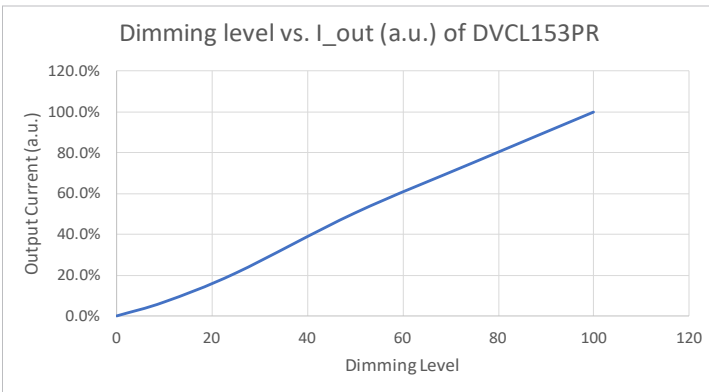
- Auto-reset; short circuit, overload and thermal protection
- Low profile, small form factor, junction box mountable
- Class 2 power supply
- Efficient, High power factor >0.90

MODEL SPECIFICATIONS

Constant Current				
Model Number	Input Voltage	Output Voltage	Output Current	Available Form Factor
DA15W200C3775-3001	120V AC 0.11A, 60Hz	37 - 75V DC LED	200mA	T11, BF, BF1
DA15W250C2460-3001		24 - 60V DC LED	250mA	T11, BF, BF1
DA15W300C1650-3001		16 - 50V DC LED	300mA	T11, BF, BF1
DA15W350C1042-3001		10 - 42V DC LED	350mA	T11, BF, BF1
DA15W400C0737-3001		7 - 37V DC LED	400mA	T11, BF, BF1
DA15W450C0533-3001		5 - 33V DC LED	450mA	T11, BF, BF1
DA15W500C0430-3001		4 - 33V DC LED	500mA	T11, BF, BF1
DS15W700C1421-3001		14-21V DC LED	700mA	T11, BF, BF1

Constant Voltage				
Model Number	Input Voltage	Output Voltage	Output Current	Available Form Factor
DA15W12V-3001	120V AC 0.11A, 60Hz	12V DC	1.25A Max.	T11, BF, BF1
DA15W24V-3001		24V DC	0.625A Max.	T11, BF, BF1
DA15W48V-3001		48V DC	0.313A Max.	T11, BF, BF1

DIMMING CURVES

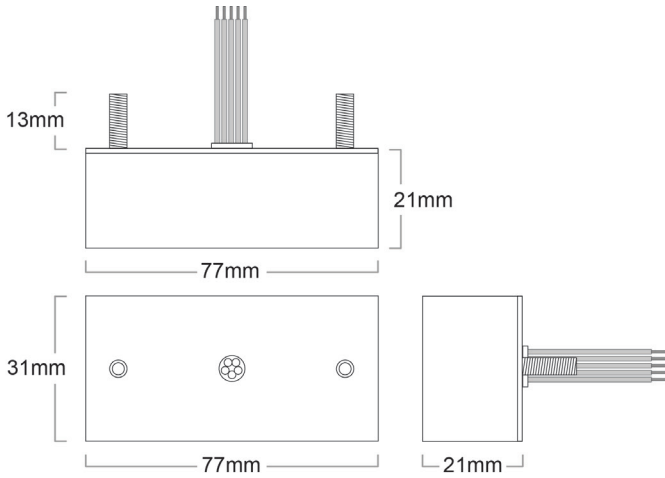


*Dimming Curves based on model DA15W350C1042-3001

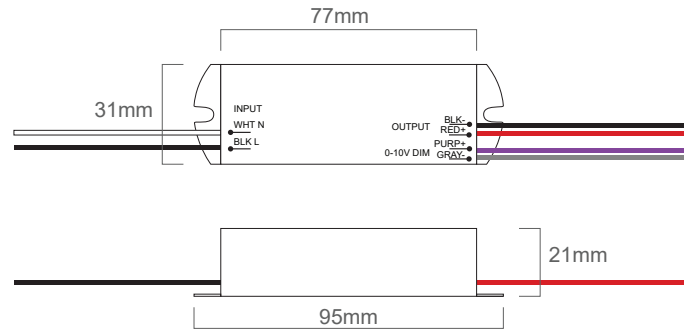
MECHANICAL SPECS

FORM FACTORS	DIMENSIONS
T11	95 (77) x 31 x 21mm
BF	77 x 31 x 21mm
BF1	77 x 31 x 21mm

BF*

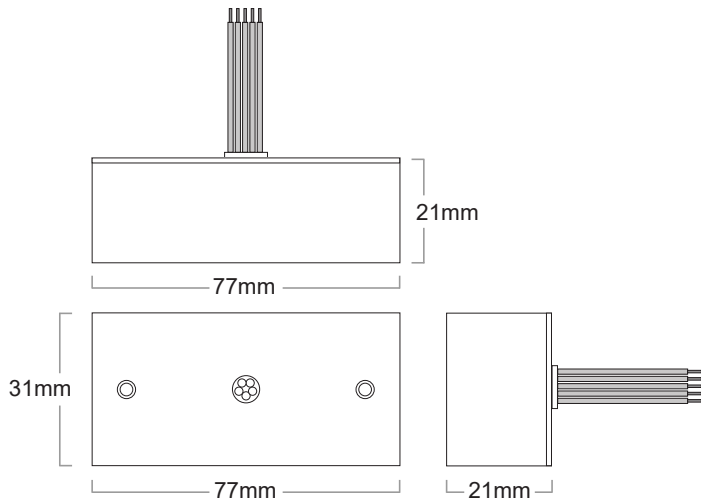


T11



*BF case includes 13mm mounting studs

BF1



REMOTE ENCLOSURES

Model	Enclosure type	Dimensions
DA15W-XXXX-RE-3001	G1 (Damp Rated)	207 x 51 x 43mm
DA15W-XXXX-REO-3001	G4 (Wet Rated)	238 (202) x 66 x 48mm



**XXXX = Form Factor

