

## Miniature Bi-Pin Fluorescent Lamp Lampholders

### APPLICATION and PERFORMANCE SPECIFICATION

**Description:** Non-Shunted Lampholders for T5 lamps

- Body: Casing - PC
- Quick connect terminals: 18 AWG Solid and Stranded

- 120W / 600V
- IEC Temperature Rating T110

Type	Ref. #	Lamp Axis/Thickness (mm)	Mounting Type	Mounting Hole / Lampholder Thickness	Drawing	Weight (g)	Packing Unit
09105	100305	13.2	Push-Through/Flush Mount	19.5 x 9.7	A	3.2	1000
09205	100310	10.3	Butt-On	ø3.2 x 19.5	B	2.5	1000
09210	106455	12	Rear or Base Snap-In	ø3.2 x 19.5 / ø3.2 x 18	C	2.8	1000

**Physical Parameters**

- For wall thickness from 0.020" - 0.059" (09105)
- For wall thickness from 0.020" - 0.049" (09205 & 09210)
- Please see drawings

**Performance:**

- Meets ANSI Standard C81.62-2009
- Meets IEC Standard 60400
- Lampholders meet IP20 standard

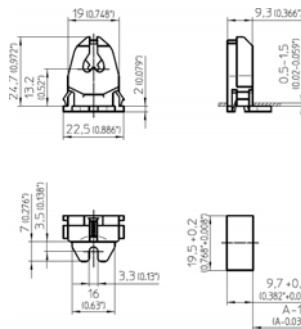
**Safety:**

- cUL<sub>US</sub> listed - Indoor Use (E110363)
- VDE/ENEC Approved

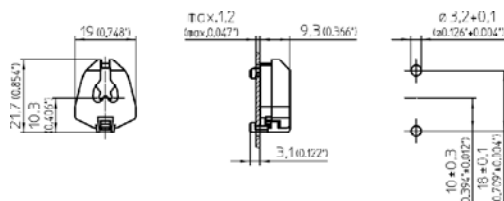


**Warranty:**

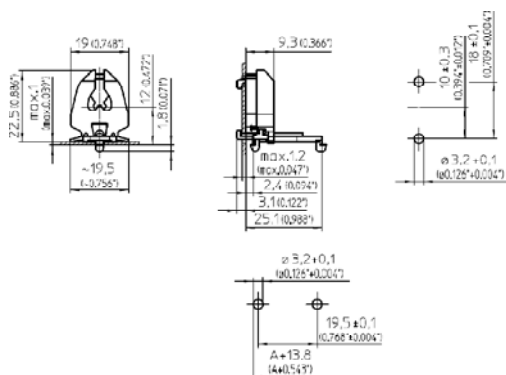
Universal Lighting Technologies warrants to the purchaser that each lampholder will be free from defects in material or workmanship for a period of 3 years from date of manufacture when properly installed and under normal conditions of use. Call **1-800-BALLASTx800** for technical assistance.



Drawing A



Drawing I



Drawing C