

# Push-through Lampholders for Medium Bi-pin Fluorescent Lamps T8, T12

## Twist and Lock Lampholders for Medium Bi-pin Fluorescent Lamps T8, T12

Nominal rating: 660W/600V  
 Degree of protection: IP20  
 Frontplate made of heat resistant PBT GF  
 Pin support for reliable contact  
 Push-In twin terminals: 18AWG  
 solid or stranded solder-dipped  
 US patent 6,364,679

Max. permissible temperature at the rear side of the lampholder:  $T_m$  110°C  
 Lampholders with integrated starterholder have Push-In twin terminals for the lamp circuit and Push-In terminals for the starter circuit.  
 All products in this chapter carry a T rating of T140 acc. to IEC standards

Push-through lampholders for T8 and T12 lamps  
 Lamp axis: 31mm (1.220"), casing: PC, white  
 Lateral fixing clips for wall thickness 0.4–2mm (0.016–0.079")

Weight: 7.8g, packing qty.: 1000 pcs.

Type: 28700/28725 with stop

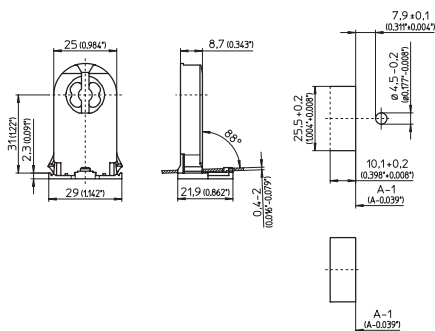
**Ref. No.: 109342**

**Ref. No.: 109376** internally shunted

Type: 28701/28726 without stop

**Ref. No.: 109343**

**Ref. No.: 109377** internally shunted



Push-through lampholders for T8 and T12 lamps  
 Lamp axis: 23mm (0.906"), casing: PC, white  
 Lateral fixing clips for wall thickness 0.4–2mm (0.016–0.079")

Weight: 6.6g, packing qty.: 1000 pcs.

Type: 29100/29125 with stop

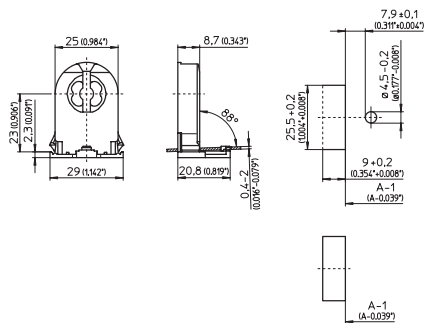
**Ref. No.: 109346**

**Ref. No.: 109371** internally shunted

Type: 29101/29126 without stop

**Ref. No.: 109529**

**Ref. No.: 109372** internally shunted



Push-through lampholders for T8 lamps

Lamp axis: 16mm (0.630")

Casing: PC, white

Nominal rating: 2A/500V

Lateral fixing clips for wall thickness 0.4–2mm (0.016–0.079")

Weight: 4.7/4.5g, packing qty.: 1000 pcs.

Type: 29300 with stop

**Ref. No.: 509134**

**Ref. No.: 509136** internally shunted

Type: 29301 without stop

**Ref. No.: 509135**

**Ref. No.: 509137** internally shunted

